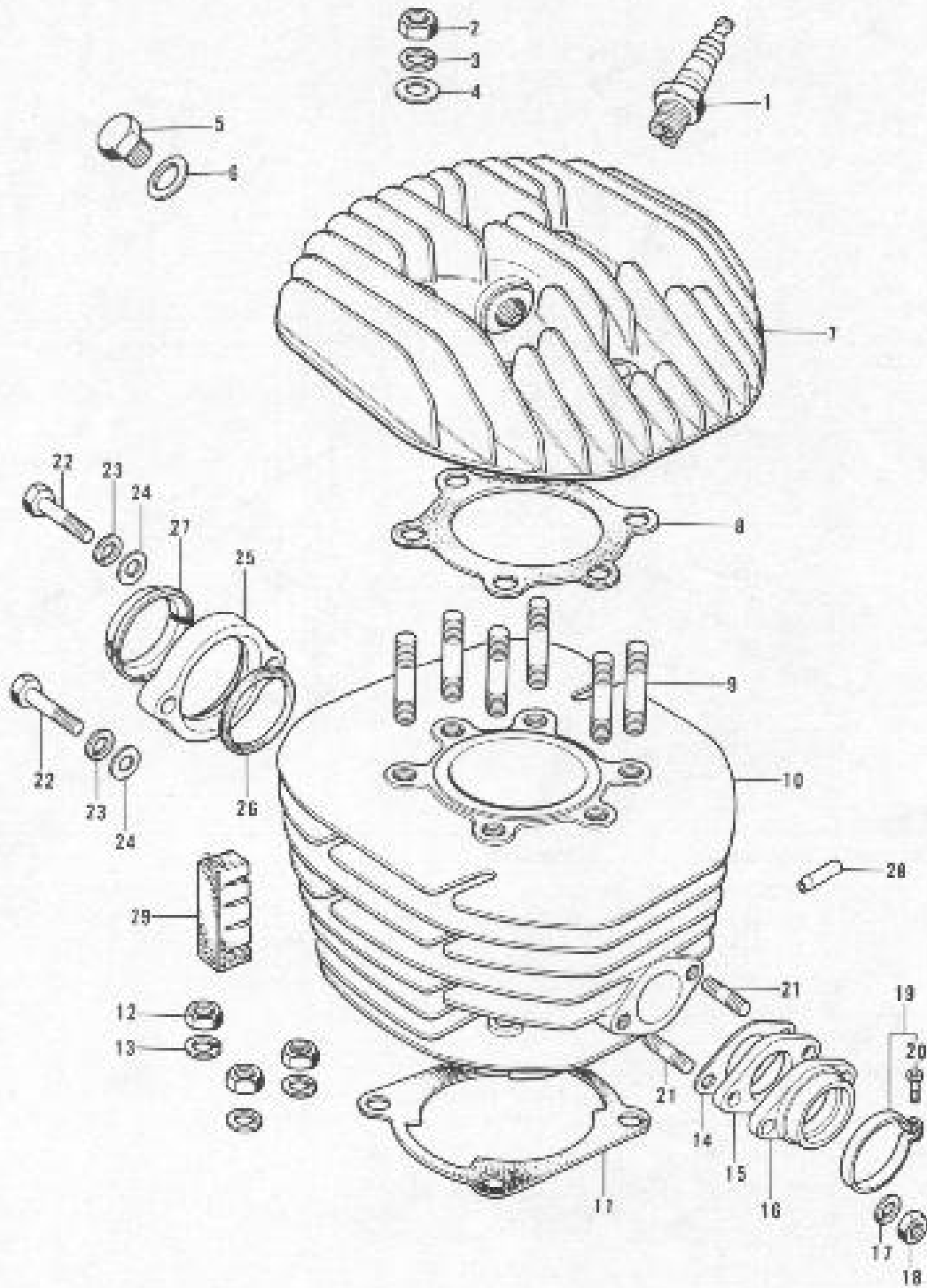


1. Cylinder Head, Cylinder



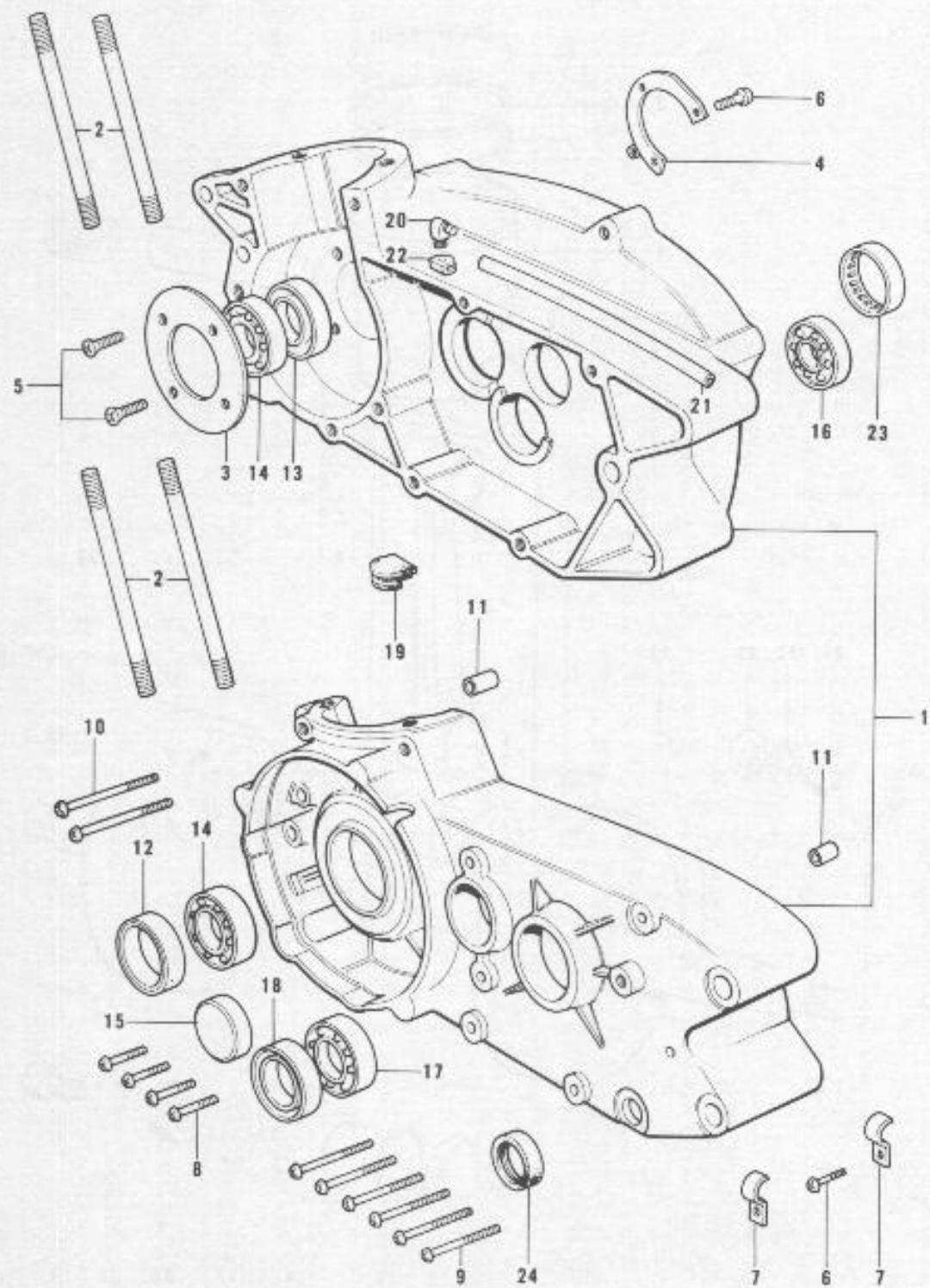
## 1. Cylinder Head, Cylinder

Ref. No.	Part No.	Part Name	Quantity	Remarks
1	92070-001	SPARK PLUG, NGK B-7HS	1	
2	310B0800	NUT, 8 m/m	6	
3	461E0800	WASHER, spring, 8 m/m	6	
4	410B0800	WASHER, plain, 8 m/m	6	
5	92067-005	PLUG, cylinder head	1	
6	92065-068	GASKET, cylinder head plug	1	
7	11001-100-80	CYLINDER HEAD	1	Half Finished
8	11004-072	GASKET, cylinder head	1	
9	172G0840	STUD, 8 x 40	6	
10	11005-151-80	CYLINDER (with 92062-009)	1	Half Finished
11	11009-038	GASKET, cylinder base	1	
12	316B1000	NUT, 10 m/m	4	
13	461E1000	WASHER, spring, 10 m/m	4	
14	16062-019	GASKET, air inlet	1	
15	18061-017	INSULATOR, heat	1	
16	16085-031	HOLDER, carburetor	1	
17	460E0800	WASHER, spring, 8 m/m	2	
18	318B0800	NUT, 8 m/m	2	
19	92123-001	CLAMP, carburetor holder	1	
20	320B0525A	SCREW, 5 x 25	2	
21	172G0816	STUD, 8 x 16	2	
22	110B0835	BOLT, 8 x 35	2	
	116B0835	BOLT, 8 x 35	ALT	
23	461F0800	WASHER, spring, 8 m/m	2	
24	410B0800	WASHER, plain, 8 m/m	2	
25	18069-058	HOLDER, exhaust pipe	1	
26	18060-009	GASKET, exhaust pipe holder	1	
27	18070-012	INSERT, exhaust pipe holder	2	
28	92062-009	NOZZLE, cylinder	1	
29	92075-142	DAMPER RUBBER, cylinder	4	

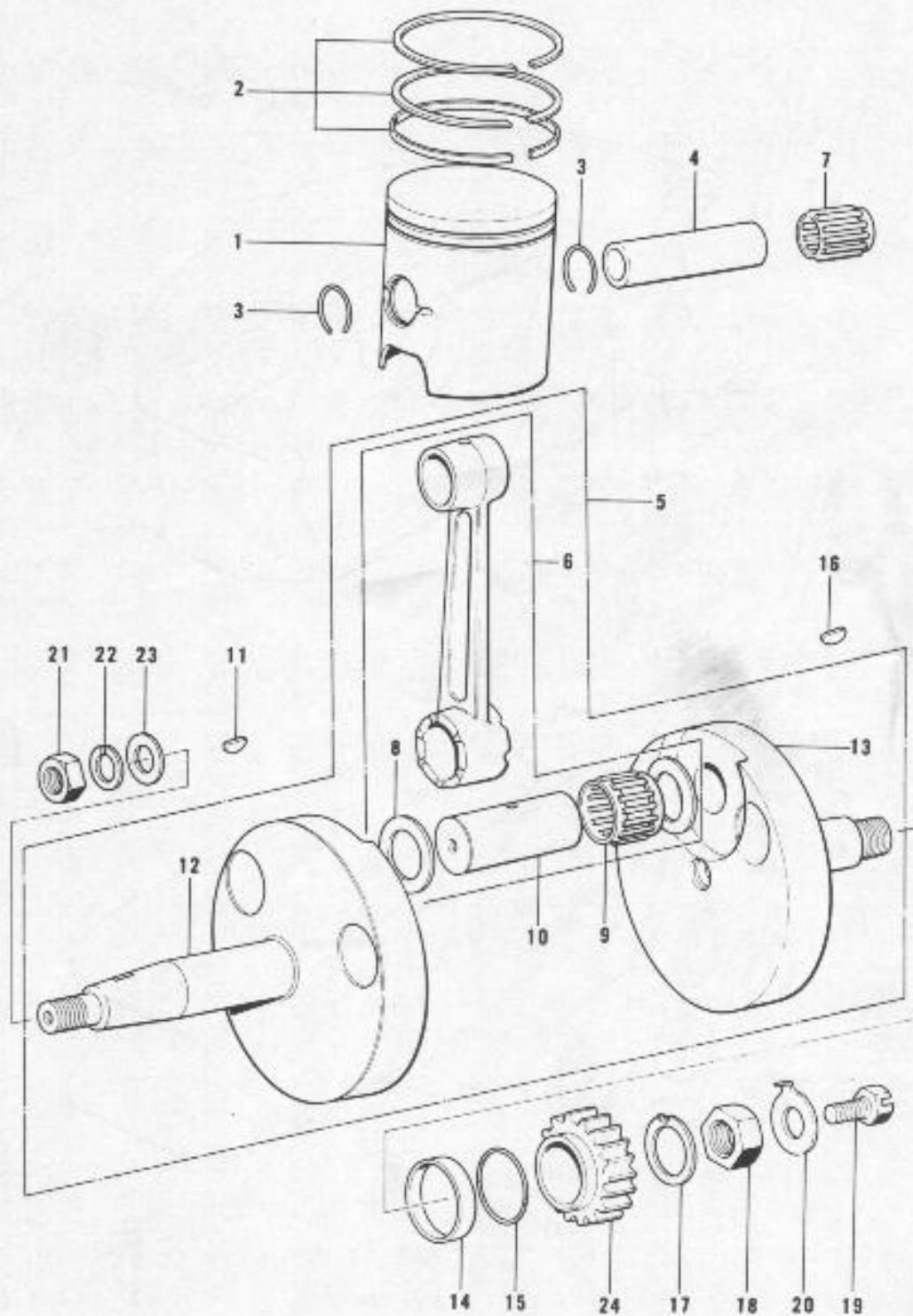
## 2. Crankcase

Ref. No.	Part No.	Part Name	Quantity	Remarks
1	14001-067	CRANKCASE SET	1	
2	172G1025	STUD, 10 x 25	4	
3	14014-030	HOLDER, crankshaft	1	
4	14014-031	HOLDER, transmission	1	
5	221B0614	SCREW, 6 x 14	4	
6	220B0614	SCREW, 6 x 14	4	
7	92037-016	CLAMP, wiring harness	2	
8	220B0645	SCREW, 6 x 45	4	
9	220B0665	SCREW, 6 x 65	6	
10	220B0670	SCREW, 6 x 70	2	
11	552A1014	PIN, dowel, 10 x 14	4	
12	653B254507	OIL, SEAL, TB25457	1	
13	653B324507	OIL SEAL, TB32457	1	
14	92045-030	BEARING, ball, #6305	2	
15	92073-025	CAP, crankcase	1	
16	601B6204	BEARING, ball, #6204	1	
17	601B6205	BEARING, ball, #6205	1	
18	92050-033	OIL SEAL, TB30407	1	
19	92071-089	GROMMET, L.H. crankcase	1	
20	14069-002	BREATHER	1	
21	92059-103	TUBE, breather	1	
22	92071-042	GROMMET, breather	1	
23	92046-040	BEARING, needle	1	
24	92051-005	OIL SEAL, change shaft	1	

2. Crankcase



3. Piston, Crankshaft



## 3. Piston, Crankshaft

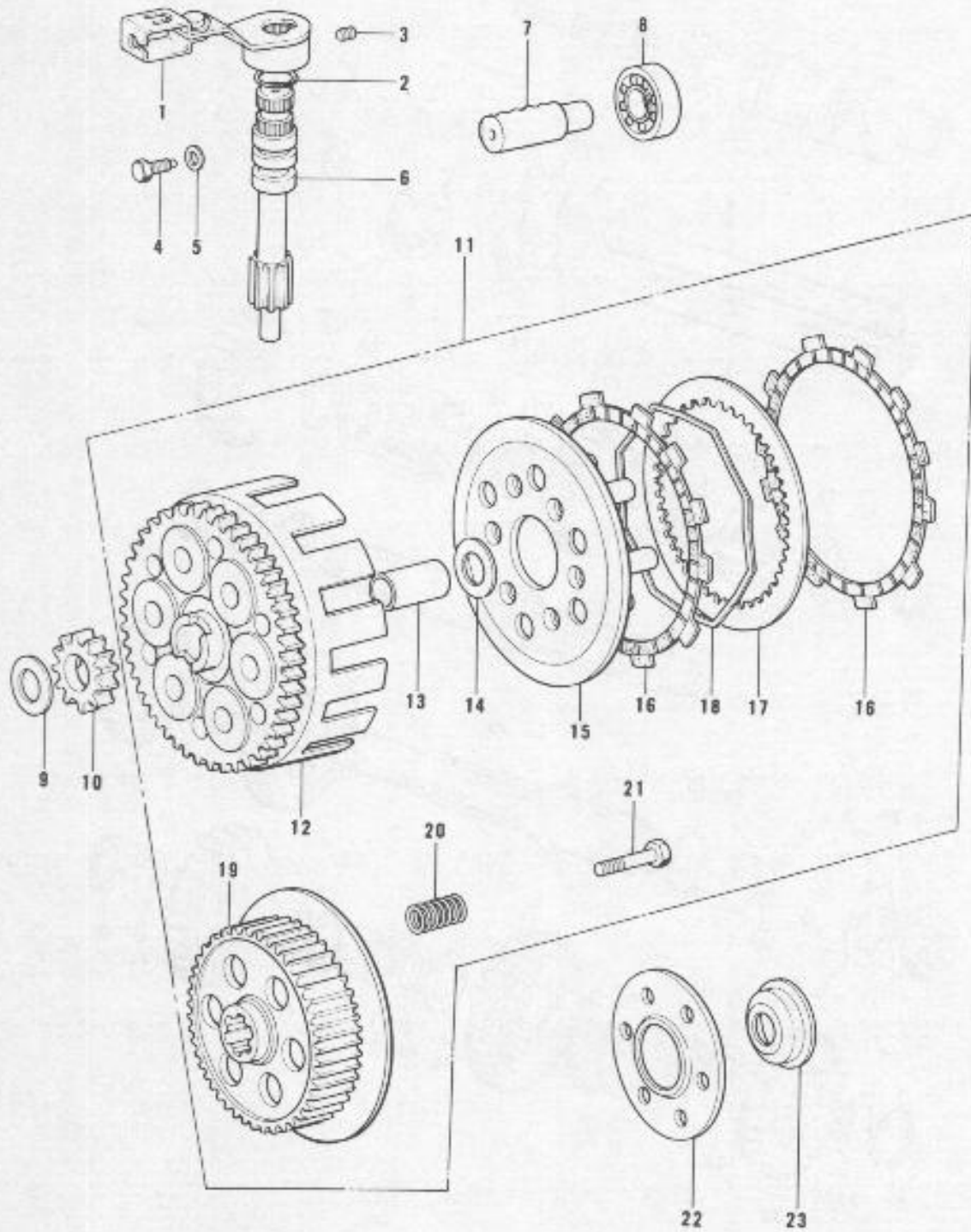
Ref. No.	Part No.	Part Name	Quantity	Remarks
1	13001-073	PISTON, STD	1	
	13029-071	PISTON, 0.020' o/s	OPT	
	13027-064	PISTON, 0.040' o/s	OPT	
2	13008-054	RING SET, STD	1	
	13025-057	RING SET, 0.020' o/s	OPT	
	13024-057	RING SET, 0.040' o/s	OPT	
3	92036-015	CIRCLIP, piston pin	2	
4	13002-028	PIN, piston	1	
5	13036-048	CRANK & CONROD ASSY	1	
6	13044-037	CONNECTING ROD SET	1	
7	13033-020	BEARING, small end needle	1	KBK182223.8X
8	92026-072	WASHER, conrod side	2	
9	13034-049	BEARING, big end needle	1	PK243219.8X4N
10	13035-034	PIN, crank	1	
11	92038-001	KEY, woodruff	1	
12	13037-066	CRANK SHAFT, L.H.	1	
13	13038-056	CRANK SHAFT, R.H.	1	
14	92027-212	COLLAR, R.H. crankshaft	1	
15	670B2020	"O" RING, 2.0 x 20	1	
16	510A5100	KEY, woodruff	1	
17	92024-068	WASHER, lock	1	
18	92015-072	NUT, lock, 16 m/m	1	
19	92001-148	BOLT, 6 x 18	1	
20	92024-066	WASHER, lock, 6 m/m	1	
21	313B1400	NUT, 14 m/m	1	
22	461E1400	WASHER, spring, 14 m/m	1	
23	92022-172	WASHER, plain, 14 m/m	1	
24	13121-031	GEAR, primary	1	19T

## KT250-A

## 4. Clutch

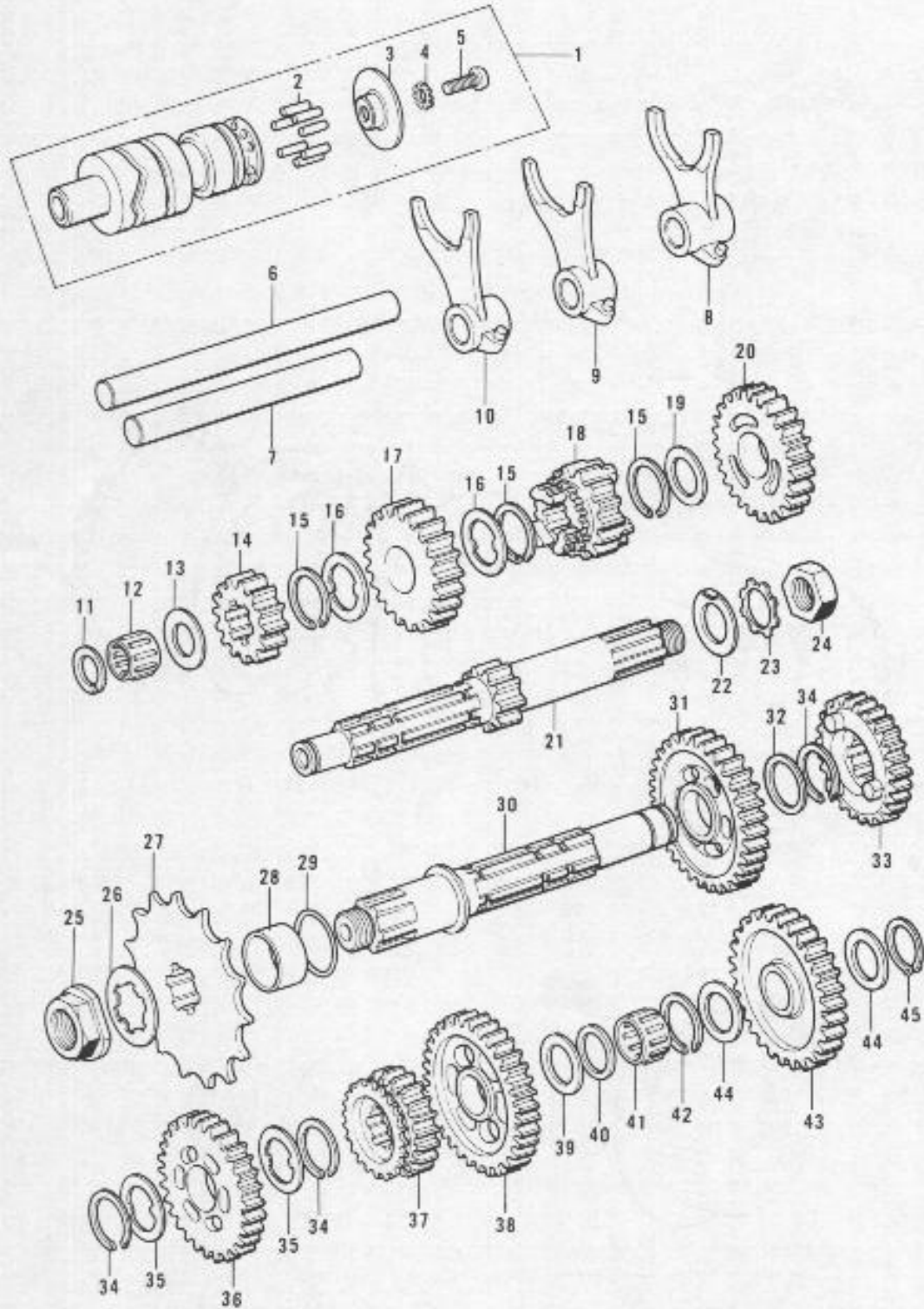
Ref. No.	Part No.	Part Name	Quantity	Remarks
1	13102-024	LEVER ASSY, clutch release	1	
2	670B2010	"O" RING, 2.0 x 10	1	
3	92013-005	SCREW, adjusting.	1	
4	92003-130	BOLT	1	
5	92065-092	GASKET	1	
6	13106-009	SHAFT, clutch release	1	
7	13116-025	ROD, clutch push	1	
8	92045-026	BEARING, ball, #627	1	
9	92022-031	WASHER, clutch thrust	1	
10	13075-011	PINION, kickstarter	1	16T
11	13081-076	CLUTCH ASSY	1	
12	13095-047	HOUSING, clutch	1	
13	92028-173	BUSHING, clutch	1	
14	92022-282	WASHER, clutch thrust	1	
15	13086-017	WHEEL, clutch	1	
16	13088-025	PLATE, clutch friction	5	
17	13089-003	PLATE, clutch steel	4	
18	13229-002	RING, clutch steel	5	
19	13087-041	HUB, clutch	1	
20	92081-123	SPRING, clutch	6	
21	92003-078	BOLT, 5 x 18	6	
22	13091-015	HOLDER, clutch spring	1	
23	13114-008	PUSHER, clutch spring plate	1	

## 4. Clutch





5. Transmission Gears (1/2)



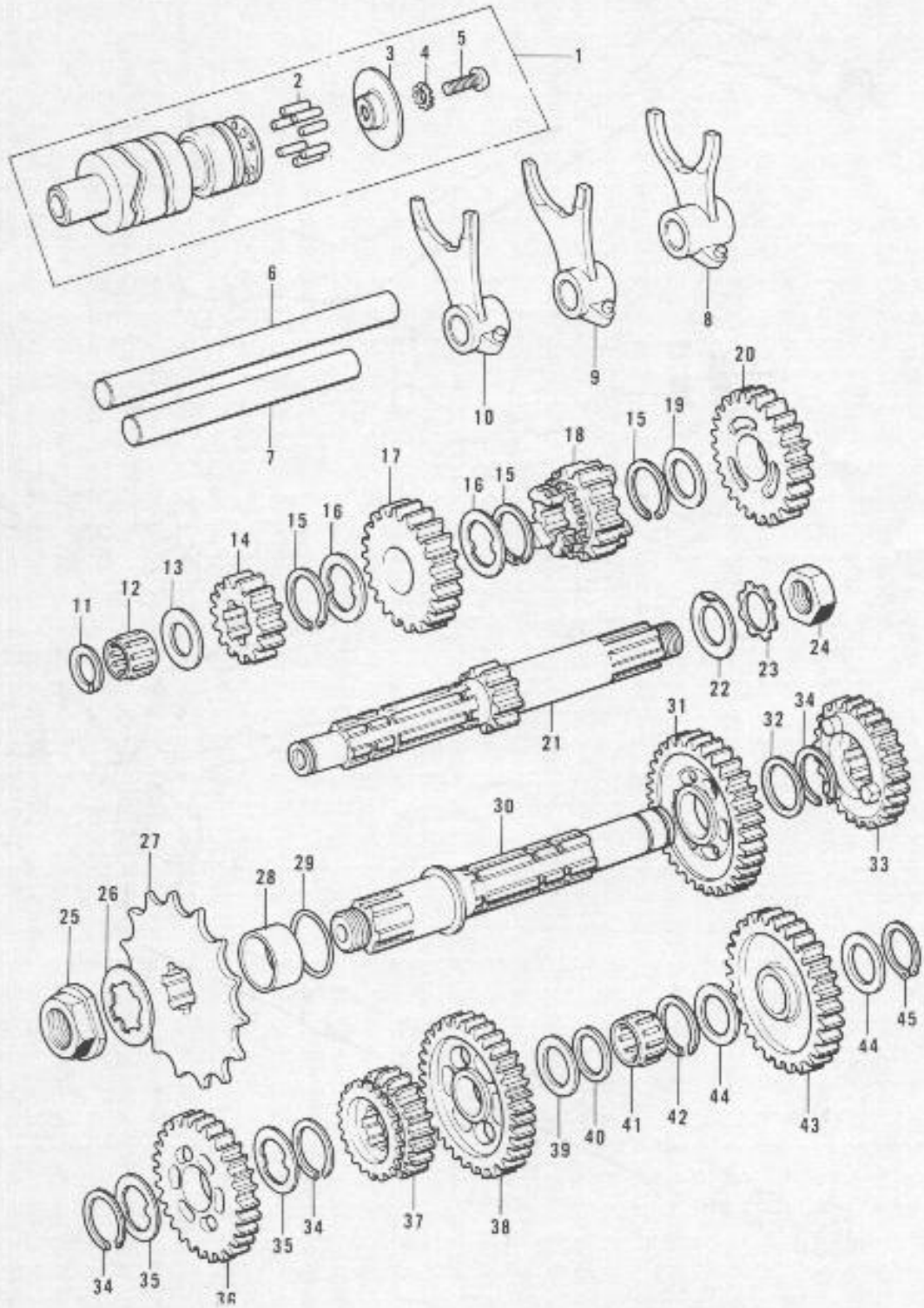
## 5. Transmission Gears (1/2)

Ref. No.	Part No.	Part Name	Quantity	Remarks
1	13239-016	DRUM, gear change	1	
2	92042-029	PIN, gear change drum	6	
3	13142-014	HOLDER, gear change drum pin 1	1	
4	464H0600	WASHER, lock, 6 m/m	1	
5	220B0614	SCREW, 6 x 14	1	
6	13209-016	ROD, shift	L=93.7 m/m	1
7	13209-017	ROD, shift	L=71.7 m/m	1
8	13140-061	FORK, selector, LOW	1	
9	13140-062	FORK, selector, 2ND & 3RD	1	
10	13140-063	FORK, selector, 4TH & TOP	1	
11	92033-030	CIRCLIP, drive shaft	1	
12	92046-038	BEARING, needle	1	KT152016
13	92022-279	WASHER, thrust, 15 m/m	1	1.0t
14	13130-040	2ND GEAR, drive shaft	1	15T
15	92033-029	CIRCLIP, 18 m/m	3	
16	92024-059	WASHER, lock	2	O.D=25 $\phi$
17	13134-022	4TH GEAR, drive shaft	1	23T
18	13132-042	3RD GEAR, drive shaft	1	18T
19	92022-252	WASHER, thrust, 20 m/m	1	
20	13136-055	TOP GEAR, drive shaft	1	28T
21	13127-050	SHAFT, drive	1	12T
22	92024-063	WASHER, lock, 16 m/m	1	
23	464H1600	WASHER, lock, 16 m/m	1	
24	92015-072	NUT, lock, 16 m/m	1	
25	92015-075	NUT, 18 m/m	1	
26	92024-065	WASHER, lock	1	
27	13144-064	ENGINE SPROCKET 15T	1	STD
	13144-059	ENGINE SPROCKET 14T	1	OPT
28	92027-236	COLLAR, engine sprocket	1	
29	92055-035	"O" RING	1	
30	13128-043	SHAFT, output shaft	1	
31	13131-047	2ND GEAR, output shaft	1	37T
32	92022-198	WASHER, thrust	1	I.D=22.3 $\phi$
33	13135-028	4TH GEAR, output shaft	1	28T
34	92033-025	CIRCLIP	3	
35	92024-039	WASHER, lock	2	

## 5. Transmission Gears (2/2)

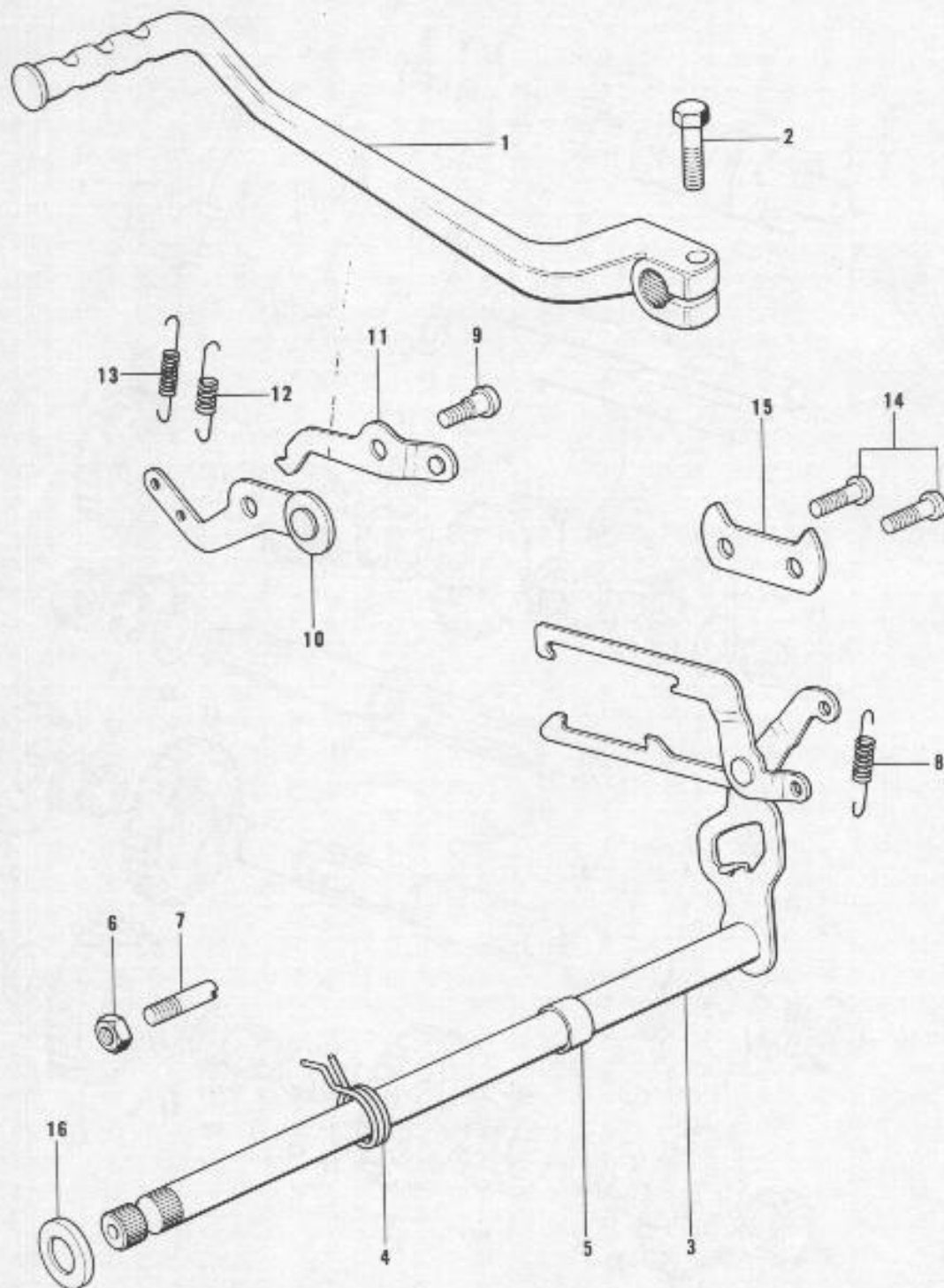
Ref. No.	Part No.	Part Name	Quantity	Remarks
36	13133-039	3RD GEAR, output shaft	1	33T
37	13137-033	TOP GEAR, output shaft	1	22T
38	13129-055	LOW GEAR, output shaft	1	39T
39	92022-280	WASHER, thrust	1	
40	92022-281	WASHER, thrust	1	
41	92046-027	BEARING, needle	1	KT172314
42	92033-032	CIRCLIP, 16 m/m	1	
43	13073-012	IDLE GEAR, kickstarter	1	28T
44	92022-197	WASHER, thrust	2	
45	480J1600	CIRCLIP, 16 m/m	1	

5. Transmission Gears (2/2)



6. Gear Change

---



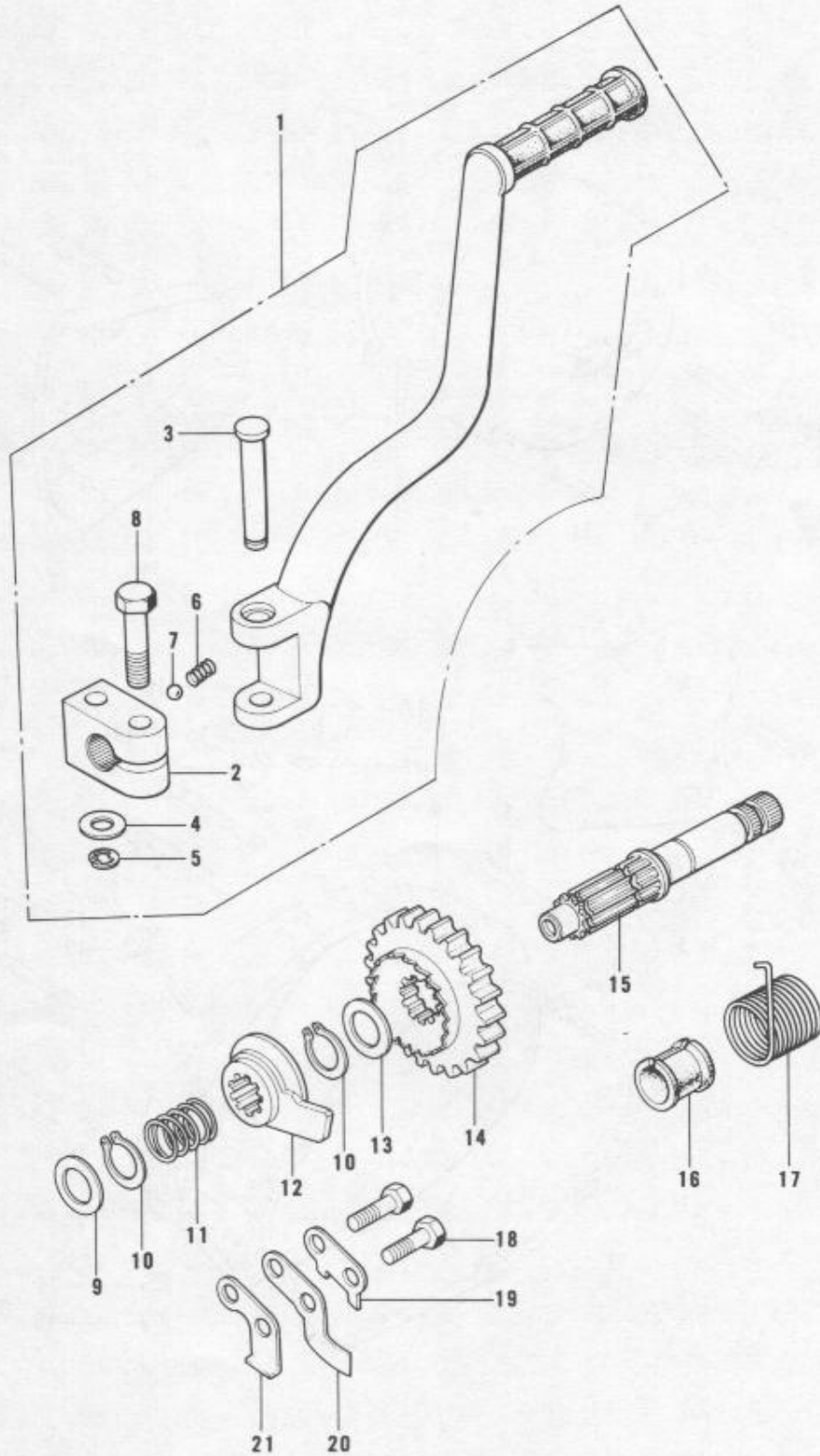
## 6. Gear Change

Ref. No.	Part No.	Part Name	Quantity	Remarks
1	13156-062	PEDAL, gear change	1	
2	110B0620	BOLT, 6 x 20	1	
	116B0620	BOLT, 6 x 20	ALT	
3	13161-033	LEVER, ASSY, gear change	1	
4	92083-002	SPRING, change pedal return	1	
5	92027-189	COLLAR, change lever	1	
6	312B0800	NUT, 8 m/m	1	
7	92043-009	PIN, change pedal return spring	1	
8	92081-076	SPRING, change lever	1	
9	92011-023	SCREW, 6 m/m	1	
10	13236-006	LEVER, change drum	1	
11	13236-007	LEVER, change drum	1	
12	92081-091	SPRING, change lever	1	
13	92081-119	SPRING, change lever	1	
14	220B0614	SCREW, 6 x 14	2	
15	13169-012	HOLDER, change drum	1	
16	92026-107	SPACER, change shaft	1	

## 7. Kickstarter

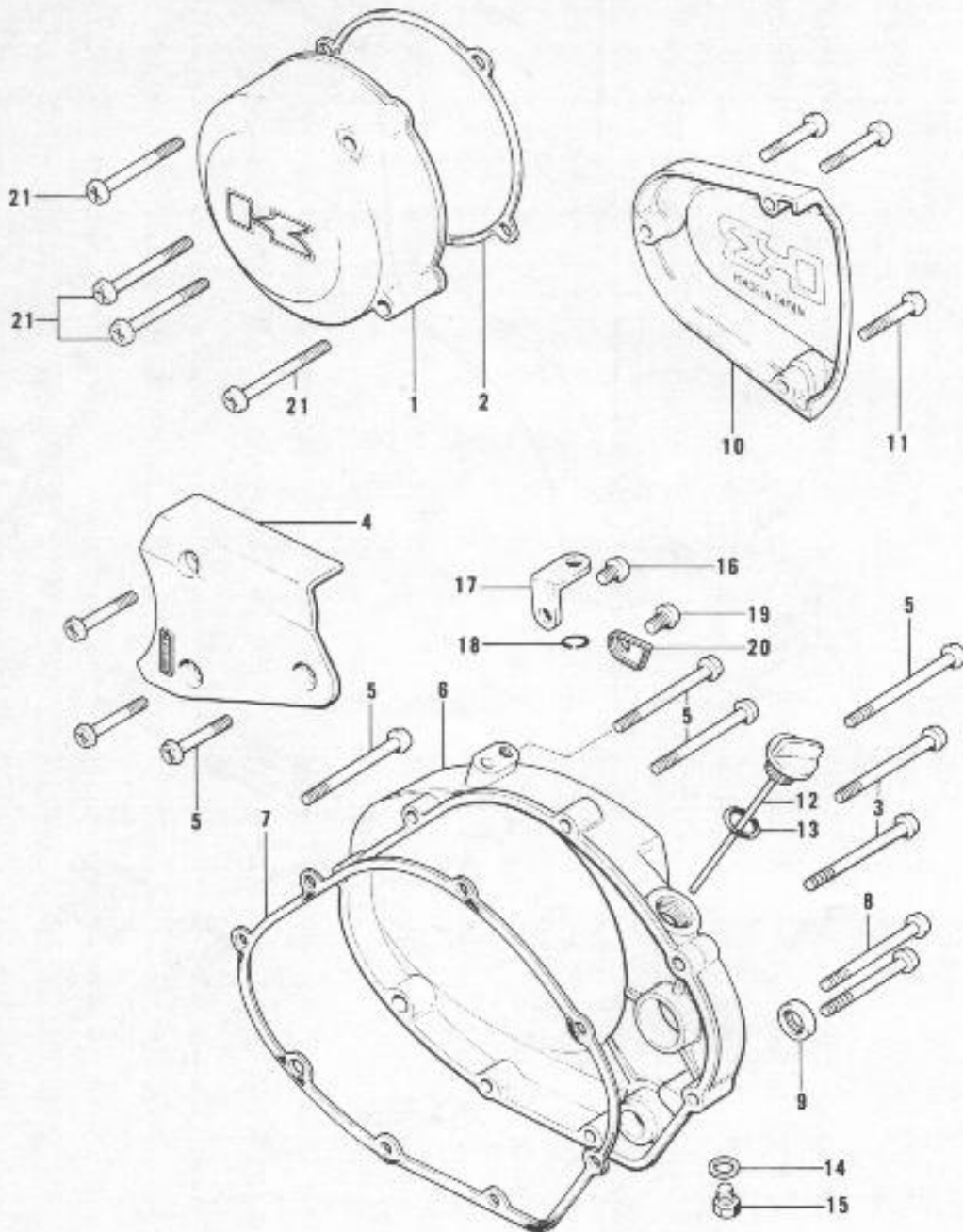
Ref. No.	Part No.	Part Name	Quantity	Remarks
1	13058-058	PEDAL ASSY, kickstarter	1	
2	13061-023	BOSS, kickstarter pedal	1	
3	92043-081	PIN, kickstarter	1	
4	410B0800	WASHER, plain, 8 m/m	1	
5	482K5000	CIRCLIP, 5 m/m	1	
6	92081-020	CONNECTING ROD SET	1	
7	600A0800	BALL, steel, 3/4"	1	
8	92001-144	BOLT, 8 x 30	1	
9	92022-252	WASHER, thrust	1	
10	92033-026	CIRCLIP	2	
11	92081-097	SPRING, kickshaft	1	
12	13078-007	RATCHET	1	
13	92022-159	WASHER, thrust, 25 m/m	1	
14	13068-025	GEAR, kickstarter	1	
15	13066-034	SHAFT, kickshaft	1	
16	13070-007	GUIDE, kickspring	1	
17	92082-003	SPRING, kickstarter	1	
18	110B0618	BOLT, 6 x 18	2	
	116B0618	BOLT, 6 x 18	ALT	
19	92031-010	WASHER, lock	1	
20	13206-011	GUIDE, kickstarter	1	
21	13072-016	STOPPER, kickstarter	1	

7. Kickstarter





8. Engine Covers



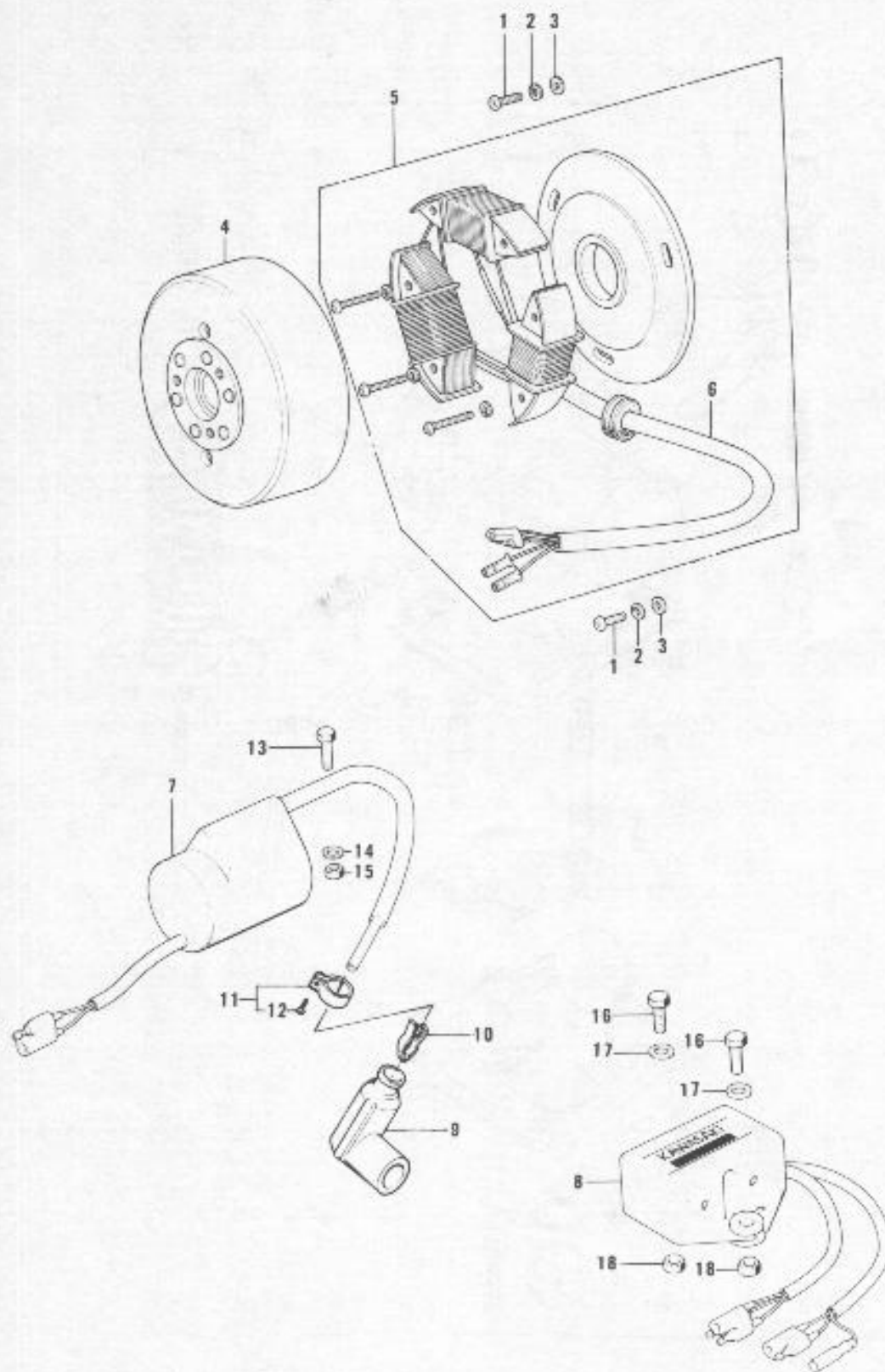
## 8. Engine Covers

Ref. No.	Part No.	Part Name	Quantity	Remarks
1	14031-088-80	COVER, L.H. engine, Buff Finished	1	
2	14045-023	GASKET, L.H. engine cover	1	
3	220B0650	SCREW, 6 x 50	2	
4	14026-030-80	COVER, front chain, Buff Finished	1	
5	220B0640	SCREW, 6 x 40	7	
6	14032-113-80	COVER, R.H. engine, Buff Finished	1	
7	14046-030	GASKET, R.H. engine cover	1	
8	220B0630	SCREW, 6 x 30	2	
9	92049-012	OIL SEAL, SB20285	1	
10	14030-064-80	COVER, oil pump, Buff Finished	1	
11	220B0620	SCREW, 6 x 20	3	
12	16115-017	PLUG, oil filler	1	
13	670B2020	"O" RING, 2.0 x 20	1	
14	92065-058	GASKET, drain plug	1	
15	92067-001	PLUG, oil drain	1	
16	220B0620	SCREW, 6 x 20	1	
17	14044-005	HOLDER, oil pump cable	1	
18	482K4000	CIRCLIP, oil pump cable	1	
19	220B0610	SCREW, 6 x 10	1	
20	92037-156	CLAMP, oil pump cable	1	
21	220B0655	SCREW, 6 x 55	4	

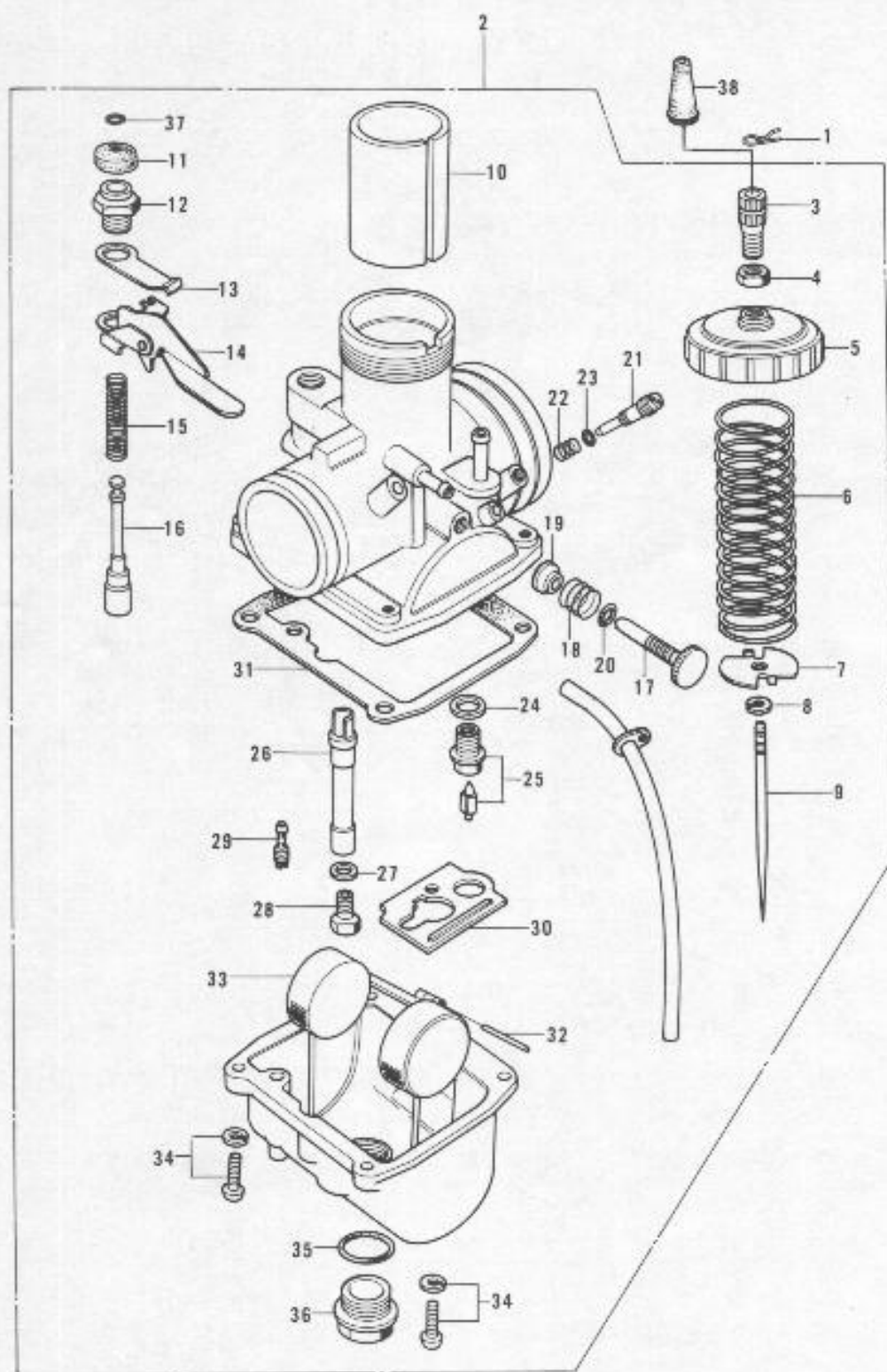
## 9. Electrical Equipments for Engine

Ref. No.	Part No.	Part Name	Quantity	Remarks
1	220B0516A	SCREW, 5 x 16	3	
2	461F0500	WASHER, spring, 5 m/m	3	
3	411B0500	WASHER, plain, 5 m/m	3	
4	21050-020	FLYWHEEL, magneto	1	
5	21003-030	STATOR ASSY, magneto	1	
6	21029-033	WIRING HARNESS, magneto	1	
7	21121-077	COIL, ignition	1	
8	21119-023	IGNITION UNIT	1	
9	21130-022	CAP, spark plug	1	
10	21169-001	TERMINAL, spark plug cap	1	
11	21168-004	CLAMP, spark plug cap	1	
12	220B0310A	SCREW, 3 x 10	1	
13	110B0522A	BOLT, 5 x 22	2	
14	411B0500	WASHER, plain, 5 m/m	2	
15	310B0500A	NUT, 5 m/m	2	
16	110B0618	BOLT, 6 x 18	2	
17	461F0600	WASHER, spring, 6 m/m	2	
18	310B0600	NUT, 6 m/m	2	

9. Electrical Equipments for Engine



10. Caburetor (1/2)



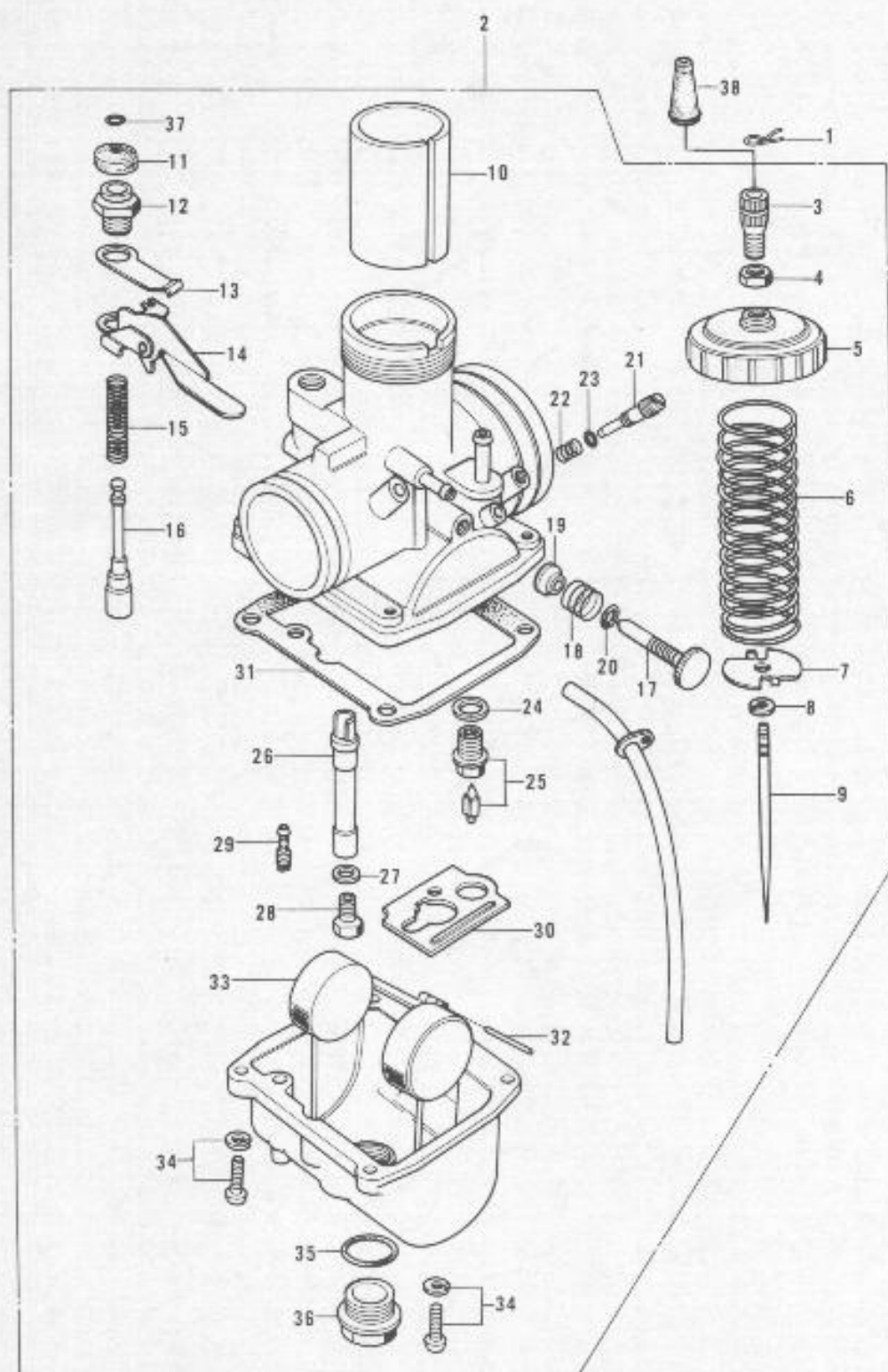
## 10. Carburetor (1/2)

Ref. No.	Part No.	Part Name	Quantity	Remarks
1	92036-018	CIRCLIP, cable adjuster	1	
2	16001-250	CARBURETOR ASSY	1	
3	16002-014	ADJUSTER, cable	1	
4	16003-006	NUT, cable adjuster	1	
5	16004-018	CAP, mixing chamber	1	
6	16006-027	SPRING, throttle valve	1	
7	16007-026	SPRING SEAT, throttle valve	1	
8	16008-004	CIRCLIP, jet needle	1	
9	16009-066	JET NEEDLE 5D1	1	
10	16025-076	VALVE, throttle CA, 2.0	1	
11	16036-012	CAP, starter plunger rubber	1	
12	16012-019	CAP, starter plunger	1	
13	16013-009	SPRING, starter plunger	1	
14	16063-004	LEVER, starter plunger	1	
15	16013-008	SPRING, starter plunger	1	
16	16016-011	PLUNGER, starter	1	
17	16021-026	SCREW, throttle adjuster	1	
18	16022-013	SPRING, throttle adjuster	1	
19	16046-003	CAP, throttle adjuster spring	1	
20	670B1504	"O" RING, 4 m/m	1	
21	16014-015	SCREW, pilot air	1	
22	16022-007	SPRING, pilot air screw	1	
23	670B1503	"O" RING, 3 m/m	1	
24	16029-004	WASHER, float valve seat	1	
25	16030-024	FLOAT VALVE ASSY	1	
26	16017-087	NEEDLE JET 0-8	1	
27	16034-001	WASHER, main jet	1	
28	92063-093	MAIN JET, #85R	1	STD
	92063-123	MAIN JET, #80R	1	OPT
	92063-124	MAIN JET, #82.5R	1	OPT
	92063-094	MAIN JET, #87.5R	1	OPT
	92063-095	MAIN JET, #90R	1	OPT
29	92064-022	PILOT JET, #30A	1	
30	16038-018	PLATE, float chamber	1	
31	16019-027	GASKET, float chamber	1	

## 10. Carburetor (2/2)

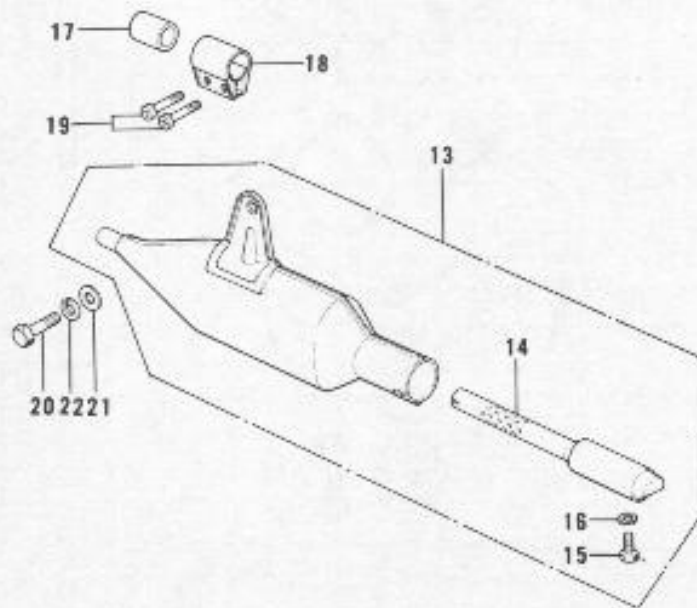
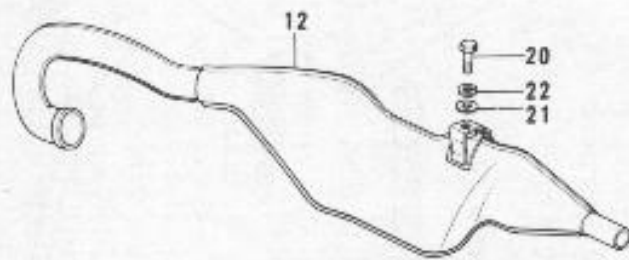
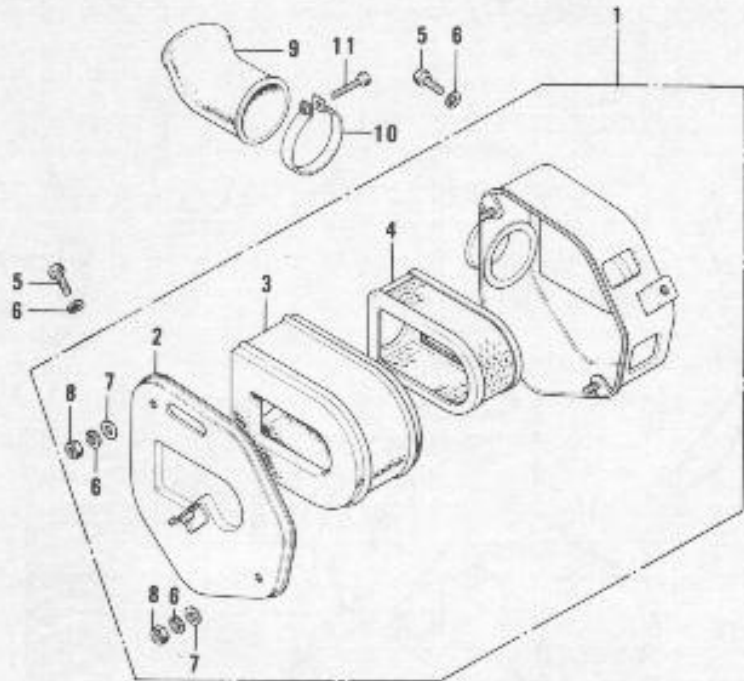
Ref. No.	Part No.	Part Name	Quantity	Remarks
32	16032-003	PIN, float	1	
33	16031-010	FLOAT	1	
34	16033-009	SCREW, float chamber	4	
35	670B2018	"O" RING, 18 m/m	1	
36	16049-003	COVER, main jet	1	
37	16088-003	"O" RING, starter plunger	1	
38	16036-008	CAP, cable adjuster	1	

## 10. Caburetor (2/2)





11. Air Cleaner, Muffler



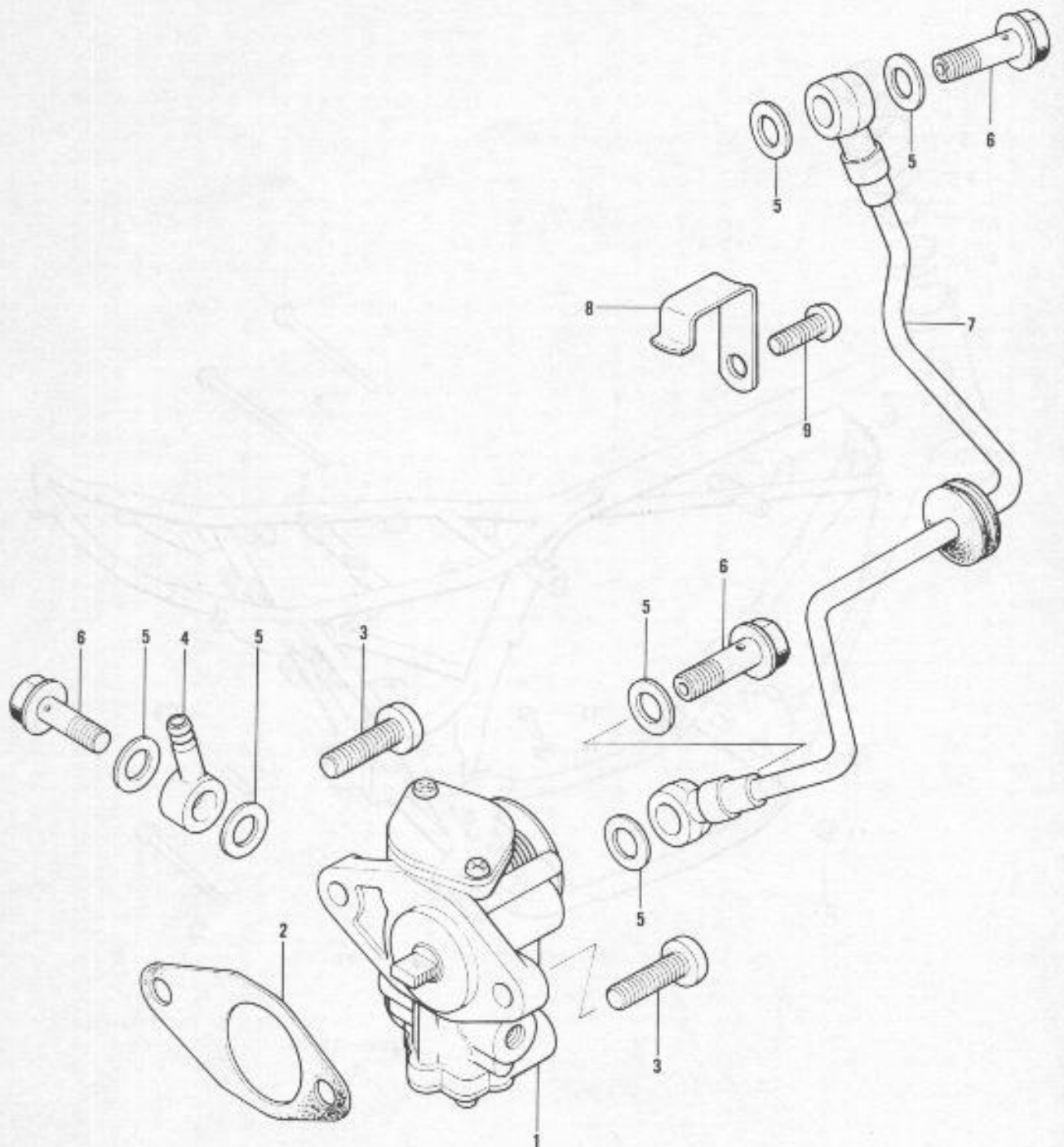
## 11. Air Cleaner, Muffler

Ref. No.	Part No.	Part Name	Quantity	Remarks
1	11010-092	AIR CLEANER ASSY	1	
2	11012-055	CAP, air cleaner body	1	
3	11013-049	ELEMENT, air cleaner	1	
4	11014-013	WIRE NET, air cleaner	1	
5	110B0612	BOLT, 6 x 12	2	
6	461F0600	WASHER, spring, 6 m/m	4	
7	411B0600	WASHER, plain, 6 m/m	2	
8	310B0600	NUT, 6 m/m	2	
9	11026-013	CONNECTOR, air cleaner	1	
10	92037-061	CLAMP, air cleaner	2	
11	220B0535A	SCREW, 5 x 35	2	
12	18001-152-21	MUFFLER ASSY, Flat Black	1	
13	18078-001-21	SPARK ARRESTOR ASSY, Flat Black	1	
14	18033-089	BAFFLE TUBE	1	
15	110B0612	BOLT, 6 x 12	1	
	116B0612	BOLT, 6 x 12	ALT	
16	463H0600	WASHER, lock, 6 m/m	1	
17	18043-014	CONNECTOR, muffler	1	
18	18044-015	HOLDER, muffler connector	1	
19	220B0616	SCREW, 6 x 16	2	
20	110B1018	BOLT, 10 x 18	2	
21	410B1000	WASHER, plain, 10 m/m	2	
22	461F1000	WASHER, spring, 10 m/m	2	

## 12. Oil Pump

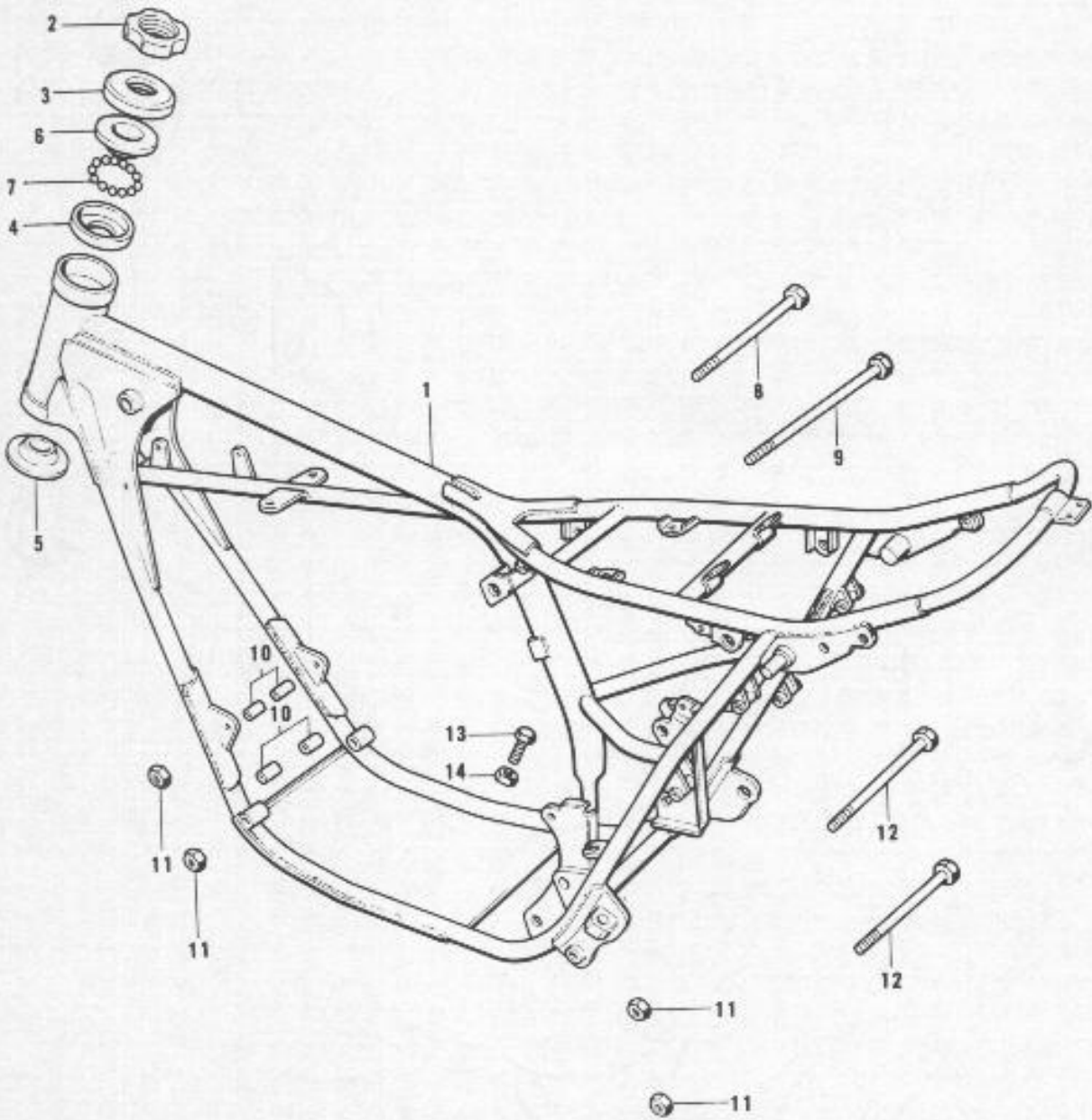
Ref. No.	Part No.	Part Name	Quantity	Remarks
1	16082-058	OIL PUMP ASSY	1	
2	16094-008	GASKET, oil pump	1	
3	220B0516A	SCREW, 5 x 16	2	
4	92061-009	CONNECTOR, banjo	1	
5	92022-077	GASKET, banjo bolt	6	
6	92060-013	BOLT, banjo	3	
7	16134-027	PIPE, oil	1	
8	92037-157	CLAMP, oil pipe	1	
9	220B0614	SCREW, 6 x 14	1	

12. Oil Pump



13. Frame

---



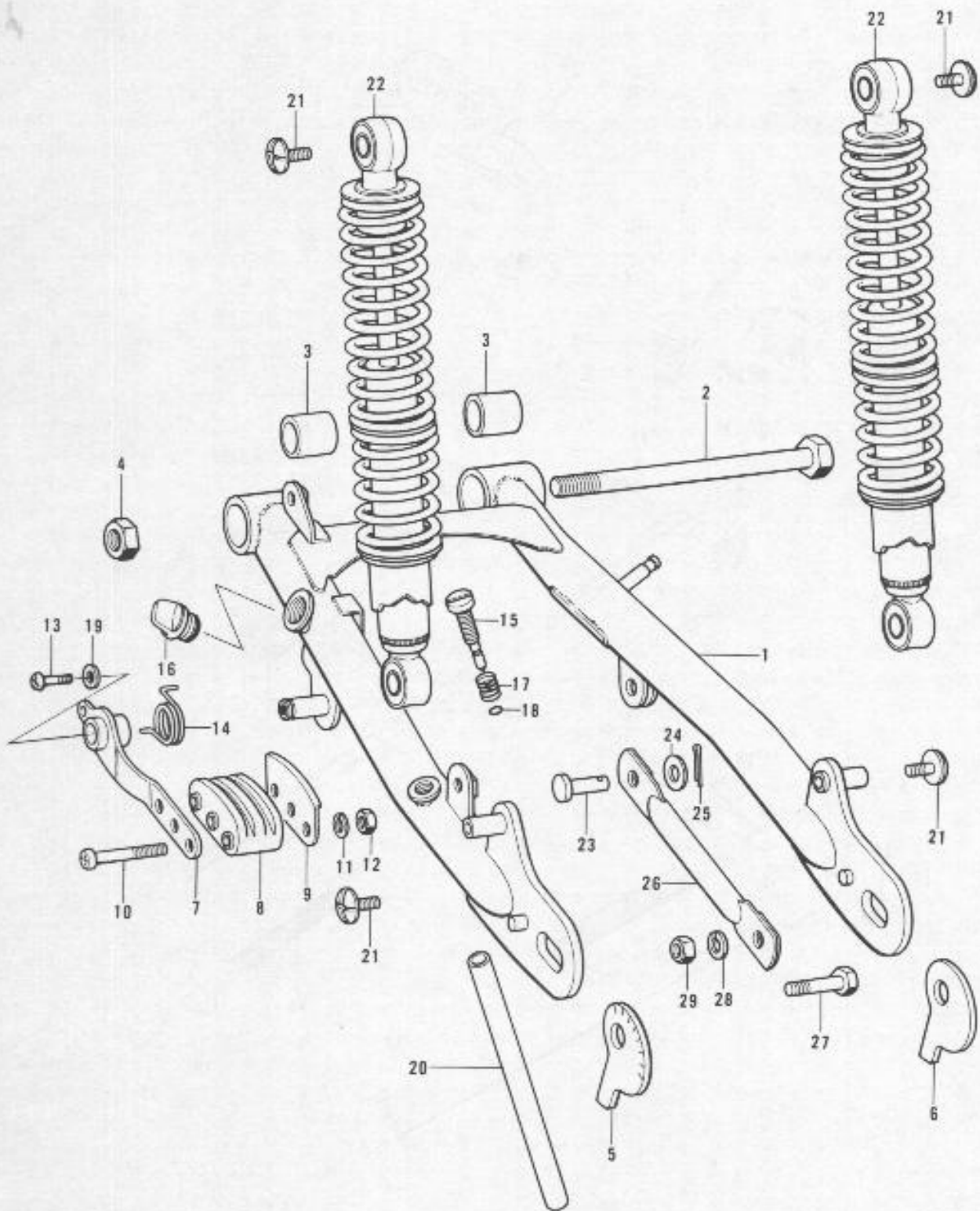
## 13. Frame

Ref. No.	Part No.	Part Name	Quantity	Remarks
1	32002-108	FRAME	1	
2	92090-023	NUT, steering lock	1	
3	46098-017	CAP, steering stem	1	
4	92047-018	CONE, steering stem	1	
5	92047-016	CONE, steering stem	1	
6	92048-008	RACE, steering stem bearing	1	
7	600A0800	BALL, steel, 1/4"	20	
8	92003-174	BOLT, engine mounting, 10 x 138	1	
9	92003-175	BOLT, engine mounting, 10 x 185	1	
10	92027-237	COLLAR, engine mounting	4	
11	92019-004	NUT, lock, 10 m/m	4	
12	92003-133	BOLT, engine mounting, 10 x 110	2	
13	110B0628	BOLT, 6 x 28	1	
	116B0628	BOLT, 6 x 28	ALT	
14	310B0600	NUT, 6 m/m	1	

## 14. Swinging Arm, Rear Shock Absorber

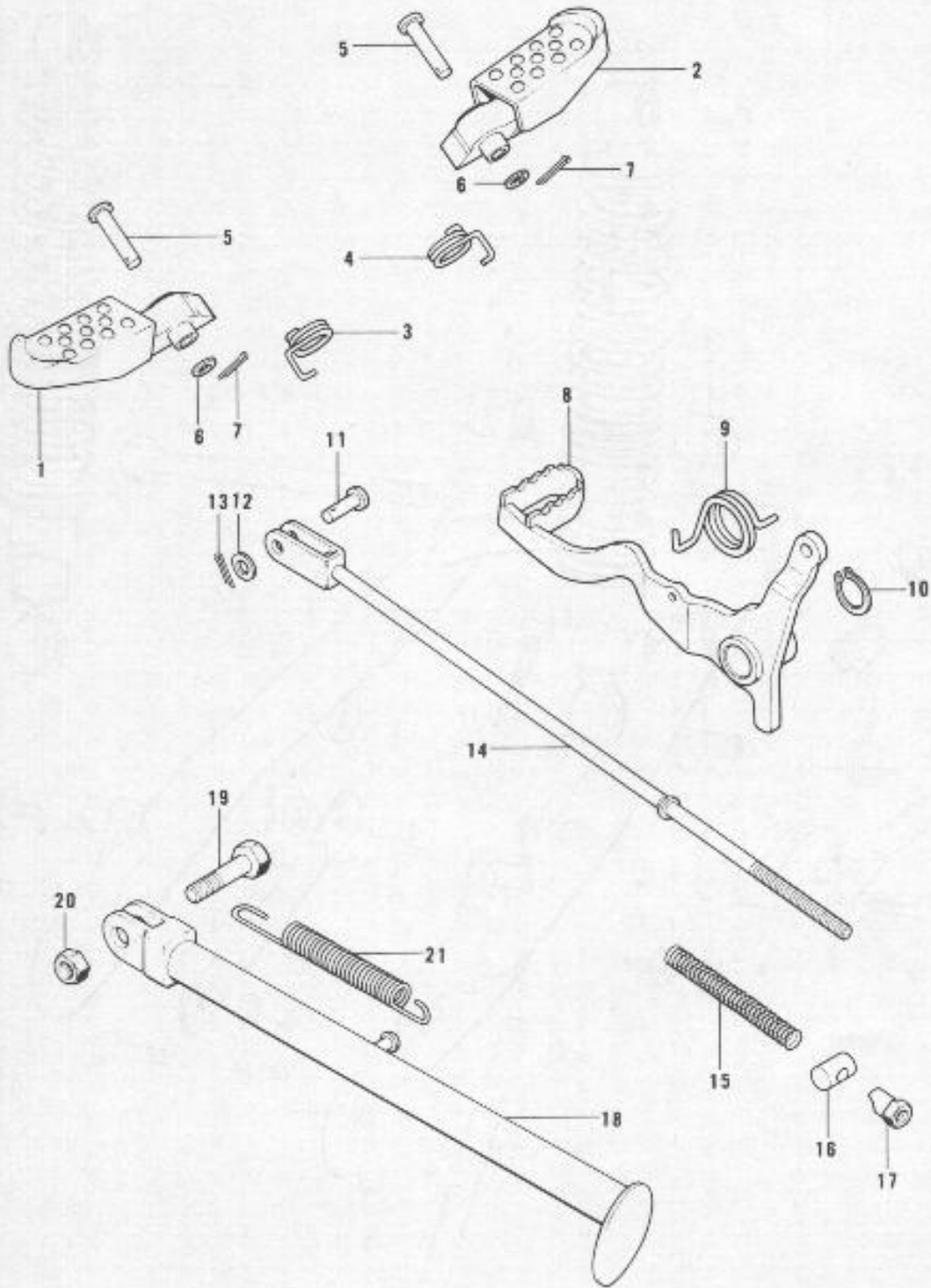
Ref. No.	Part No.	Part Name	Quantity	Remarks
1	33001-077	ARM, swinging	1	
2	33032-042	SHAFT, swinging arm pivot	1	
3	92092-005	BUSHING, swinging arm	2	
4	92019-009	NUT, lock, 12 m/m	1	
5	33040-064	ADJUSTER, chain, L.H.	1	
6	33040-065	ADJUSTER, chain, R.H.	1	
7	12049-002	TENSIONER, chain	1	
8	12053-012	SLIPPER, chain tensioner	1	
9	12051-002	BRACKET, chain tensioner	1	
10	220B0640	SCREW, 6 x 40	3	
11	461F0600	WASHER, spring, 6 m/m	3	
12	311B0600	NUT, 6 m/m	3	
13	220B0612	SCREW, 6 x 12	1	
14	58024-003	SPRING, return	1	
15	92003-176	BOLT, chain oiler	1	
16	16116-026	PLUG, oil filler	1	
17	55033-002	SPRING, chain oiler	1	
18	670B1503	"O" RING, 3 m/m	1	
19	92022-125	WASHER, plain, 6 m/m	1	
20	92059-116	TUBE	1	L=40m/m
21	92003-173	BOLT, shock absorber fitting	4	
22	45014-103	SHOCK ABSORBER, rear	2	
23	92043-105	PIN, torque link	1	
24	92022-239	WASHER, plain, 10 m/m	1	
25	550D2020	PIN, cotter, 2.0 x 20	1	
26	43007-043	TORQUE LINK, rear brake	1	
27	92003-003	BOLT, 10 x 25	1	
28	461F1000	WASHER, spring, 10 m/m	1	
29	313B1000	NUT, 10 m/m	1	

## 14. Swinging Arm, Rear Shock Absorber





15. Footrests, Stand, Brake Pedal



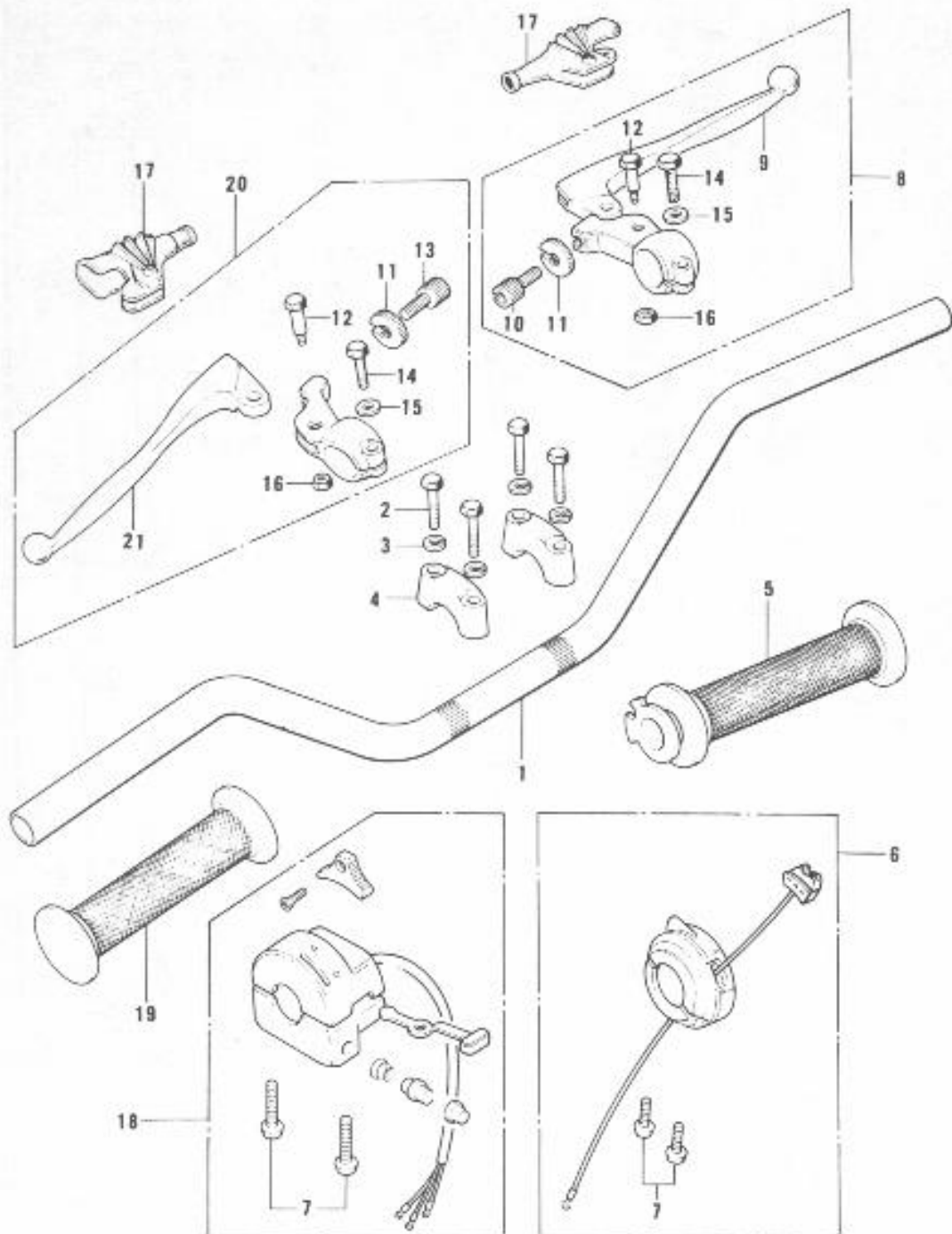
## 15. Footrests, Stand, Brake Pedal

Ref. No.	Part No.	Part Name	Quantity	Remarks
1	34028-027	BAR, L.H. footrest	1	
2	34028-028	BAR, R.H. footrest	1	
3	34006-004	SPRING, L.H. footrest	1	
4	34006-005	SPRING, R.H. footrest	1	
5	92043-115	PIN, footrest bar fitting	2	
6	410B0800	WASHER, plain, 8 m/m	2	
7	550D2516	PIN, cotter, 2.5 x 16	2	
8	43001-066	PEDAL, brake	1	
9	43005-034	SPRING, brake pedal return	1	
10	482K0200	CIRCLIP, 12 m/m	1	
11	92043-064	PIN, brake rod fitting	1	
12	410B0600	WASHER, plain, 6 m/m	1	
13	550D2015	PIN, cotter, 2.0 x 15	1	
14	43011-027	ROD, rear brake	1	
15	43012-002	SPRING, rear brake rod	1	
16	92043-039	PIN, rear brake rod	1	
17	92015-008	NUT, rear brake rod adjust	1	
18	34024-058	STAND, side	1	
19	113B1036	BOLT, 10 x 36	1	
20	313B1000	NUT, 10 m/m	1	
21	34025-008	SPRING, side stand	1	

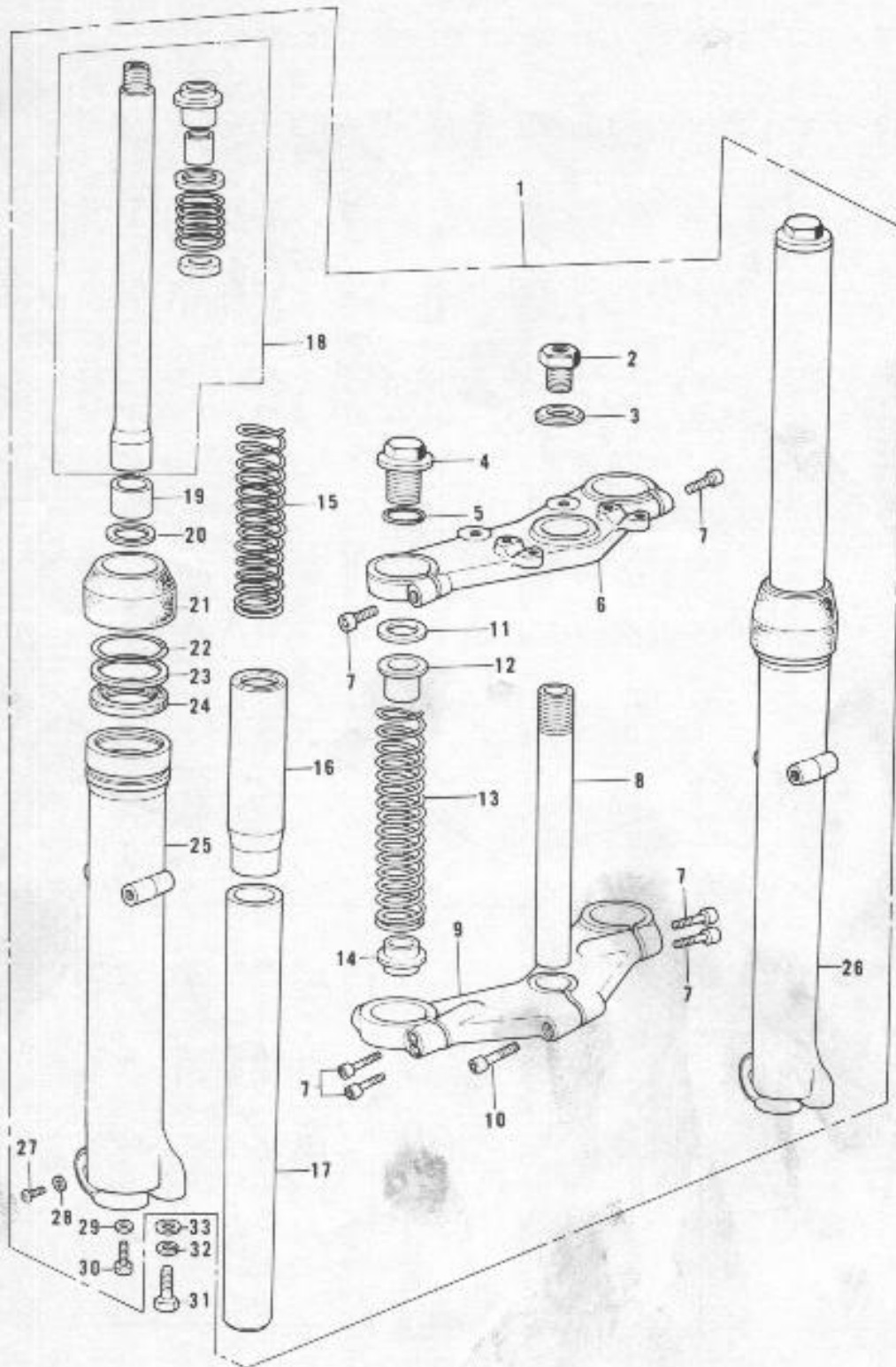
## 16. Handlebar, Grips

Ref. No.	Part No.	Part Name	Quantity	Remarks
1	46004-031	HANDLEBAR	1	
2	92007-002	BOLT, handlebar fitting	4	
3	461F0800	WASHER, spring, 8 m/m	4	
4	46012-004	HOLDER, handlebar fitting	2	
5	46019-036	GRIP ASSY, throttle	1	
6	46018-042	CASE ASSY, R.H.	1	
7	220B0525A	SCREW, 5 x 25	2	
8	46021-030	LEVER ASSY, front brake	1	
9	46058-014	LEVER, front brake	1	
10	46055-010	SCREW, cable adjuster	1	d-7 <sup>o</sup>
11	46056-005	NUT, cable adjuster	2	
12	92007-046	BOLT, 5 x 25	2	
13	46055-003	SCREW, cable adjuster	1	d-8 <sup>o</sup>
14	110N0625	BOLT, 6 x 25	2	
15	410B0600	WASHER, plain, 6 m/m	2	
16	92019-014	NUT, 5 m/m	2	
17	46071-005	COVER, dust	2	
18	46091-046	CASE ASSY, L.H.	1	
19	46075-026	RUBBER, L.H. grip	1	
20	46076-046	LEVER ASSY, clutch	1	
21	46092-014	LEVER, clutch	1	

## 16. Handlebar, Grips



17. Front Fork



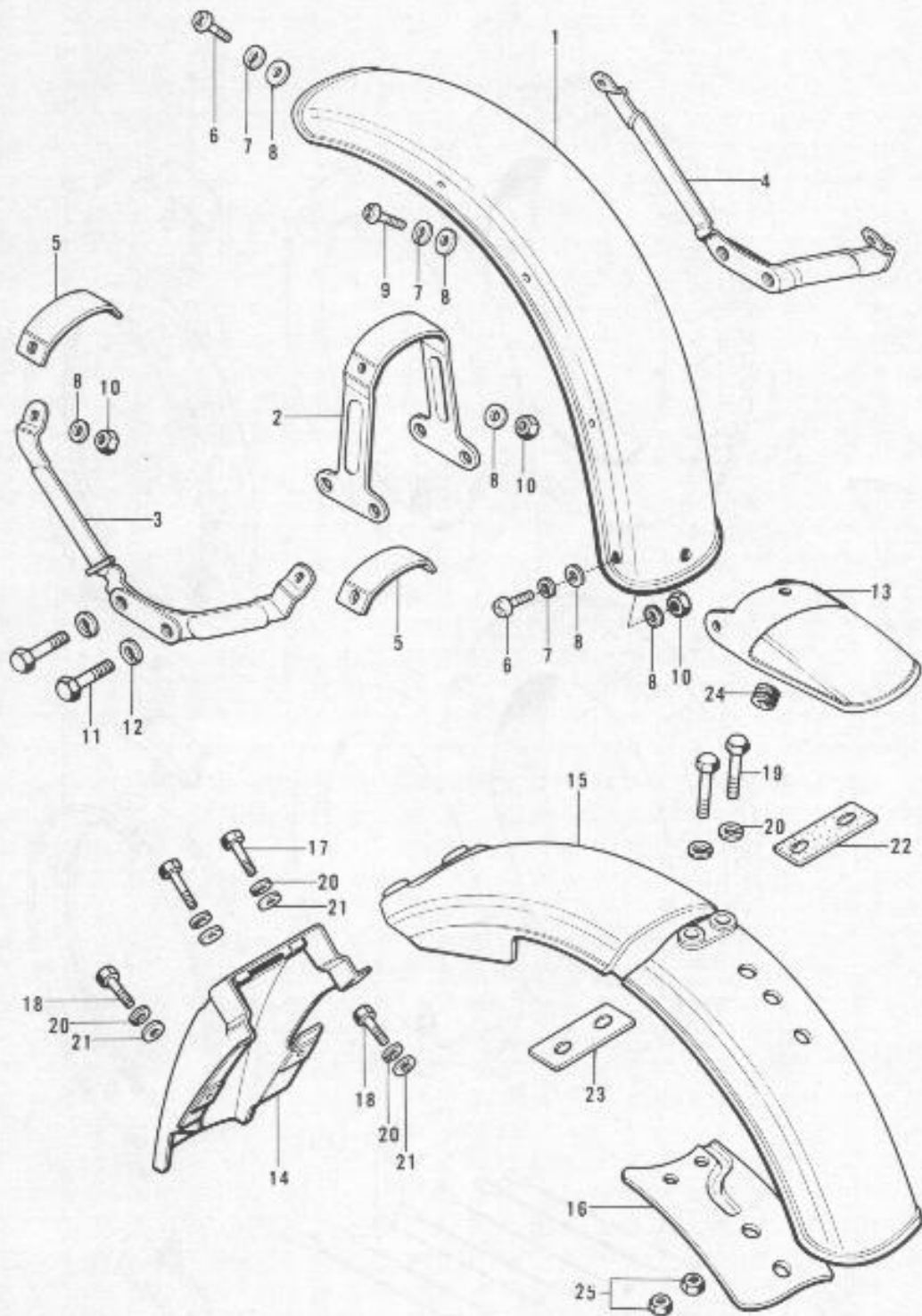
## 17. Front Fork

Ref. No.	Part No.	Part Name	Quantity	Remarks
1	44001-157	FRONT FORK ASSY	1	
2	44041-065	BOLT, steering stem head	1	
3	44043-052	WASHER, steering stem head	1	
4	44041-080	BOLT, fork top	2	
5	44046-015	"O" RING, fork top bolt	2	
6	44039-067	HEAD, steering stem	1	
7	44041-061	BOLT, allen, 8 m/m	6	
8	44052-010	SHAFT, steering stem	1	
9	44038-009	STEM, steering	1	
10	44041-043	BOLT, allen, 10 m/m	1	
11		GASKET, fork top bolt	2	
12	44028-035	SPACER, fork spring	2	
13	44026-065	SPRING, upper fork	2	
14	44028-037	GUIDE, fork spring	2	
15	44026-064	SPRING, lower fork	2	
16	44028-036	SPACER, fork spring	2	
17	44013-050	TUBE, fork inner	2	
18	44022-025	CYLINDER, fork	2	
19	44018-009	PISTON, fork cylinder	2	
20	44044-019	CIRCLIP, fork piston	2	
21	44010-031	DUST SHIELD, fork outer tube	2	
22	44044-005	CIRCLIP, fork outer tube	2	
23	44043-023	WASHER, fork outer tube	2	
24	44009-023	OIL SEAL, fork outer tube	2	
25	44005-059	TUBE, fork outer, L.H.	1	
26	44006-057	TUBE, fork outer, R.H.	1	
27	44041-062	SCREW, fork drain	2	
28	44045-045	GASKET, fork drain	2	
29	44045-034	GASKET, fork cylinder	2	
30	44041-040	BOLT, fork cylinder	2	
31	113N1232A	BOLT, 12 x 32	1	
32	461F1200	WASHER, spring, 12 m/m	1	
33	410B1200	WASHER, plain, 12 m/m	1	

## 18. Fenders

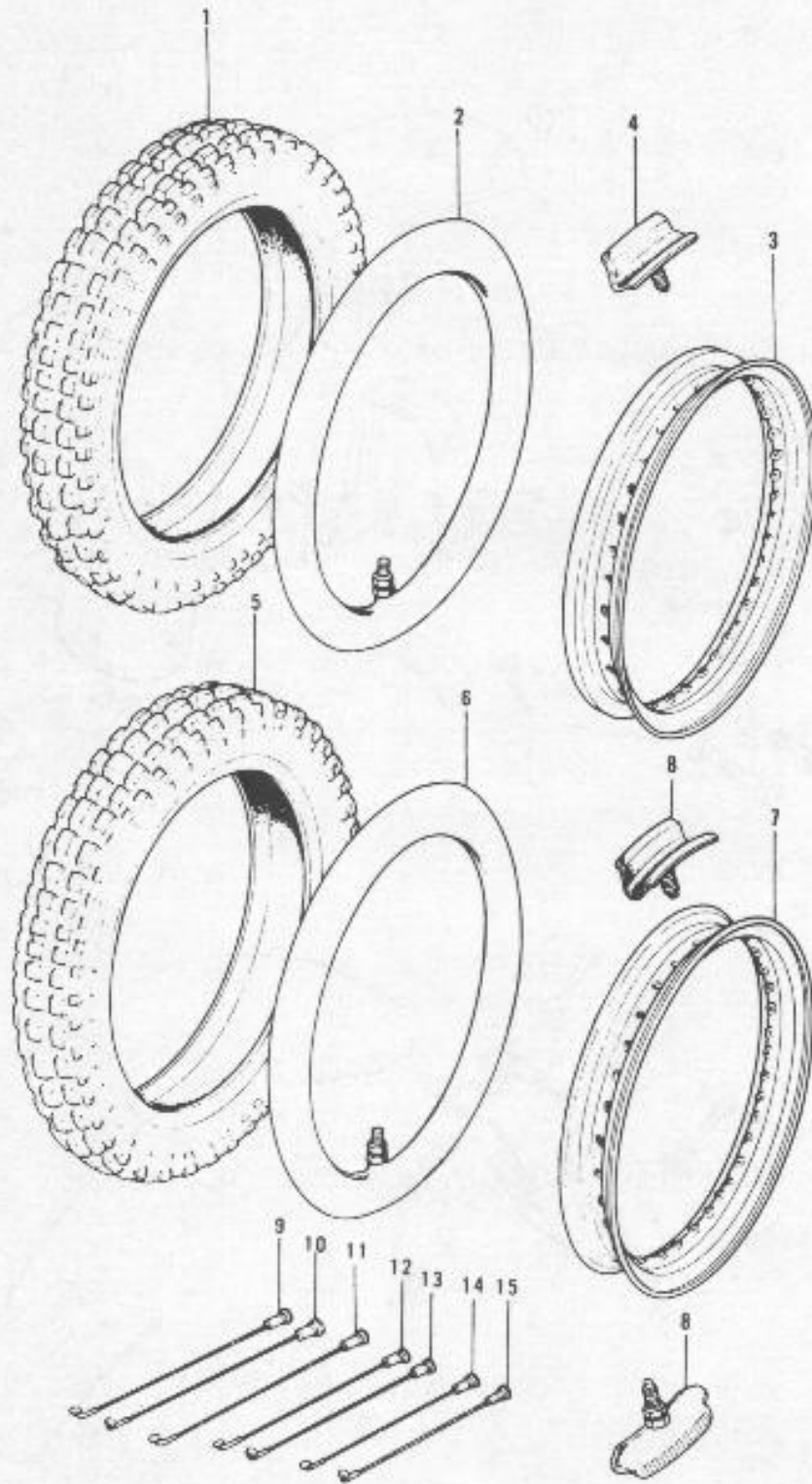
Ref. No.	Part No.	Part Name	Quantity	Remarks
1	35004-103	FENDER, front	1	
2	35009-034	BRACE, front fender	1	
3	35011-031	STAY, front fender, L.H.	1	
4	35011-032	STAY, front fender, R.H.	1	
5	35013-016	PLATE, front fender	2	
6	220E0616	SCREW, 6 x 16	5	
7	461E0600	WASHER, spring, 6 m/m	9	
8	411B0600	WASHER, plain, 6 m/m	5	
9	220E0620	SCREW, 6 x 20	4	
10	311B0600	NUT, 6 m/m	9	
11	110B0818	BOLT, 8 x 18	4	
12	461F0800	WASHER, spring, 8 m/m	4	
13	35019-010	FLAP, front fender	1	
14	35022-128	FENDER, rear,	1	Front
15	35022-127	FENDER, rear,	1	Rear
16	35034-022	GUSSET, rear fender	1	
17	110B0622	BOLT, 6 x 22	2	
	116B0622	BOLT, 6 x 22	ALT	
18	110B0614	BOLT, 6 x 14	2	
	116B0614	BOLT, 6 x 14	ALT	
19	110B0625	BOLT, 6 x 25	2	
	116B0625	BOLT, 6 x 25	ALT	
20	461F0600	WASHER, spring, 6 m/m	6	
21	92022-125	WASHER, plain, 6 m/m	4	
22	92075-072	DAMPER RUBBER	1	
23	35026-008	BRACKET, rear fender	1	
24	92071-024	GROMMET,	1	
25	92019-019	NUT, lock, 6 m/m	2	

18. Fenders





19. Wheels



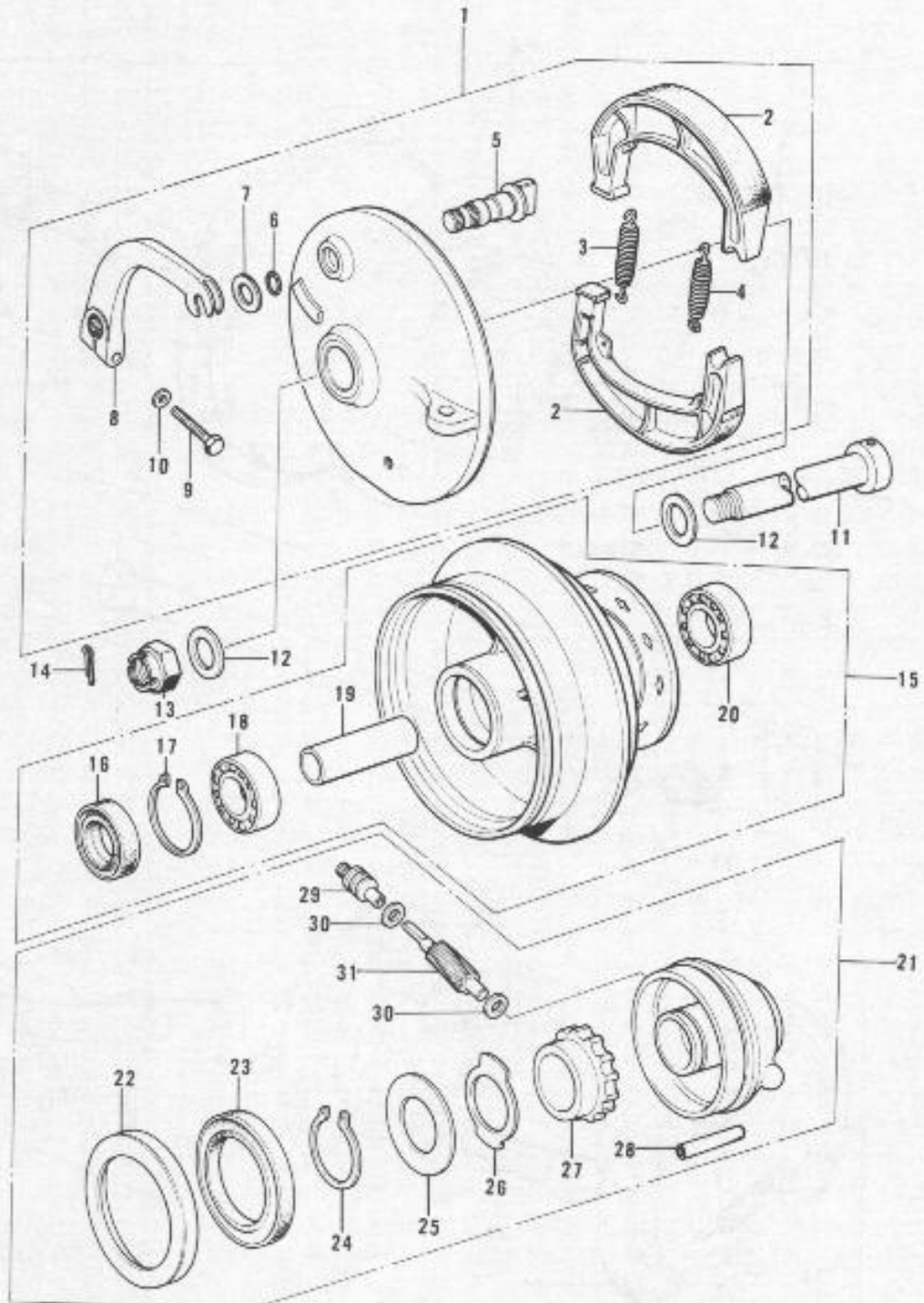
## 19. Wheels

Ref. No.	Part No.	Part Name	Quantity	Remarks
1	41021-032	TIRE, front, 2.75-21 4PR	1	
2	41022-036	TUBE, 2.75-21	1	
3	41025-076	RIM, 1.60A x 21E	1	
4	41024-010	PROTECTOR, bead 1.60A	1	
5	41021-033	TIRE, rear 4.00-18 4PR	1	
6	41022-031	TUBE, 4.00-18	1	
7	41025-080	RIM, 1.85B x 18E	1	
8	41024-011	PROTECTOR, bead 1.85B	2	
9	41027-068	SPOKE ASSY, front inner	9	98.3°x227m/m
10	41028-068	SPOKE ASSY, front outer	9	85.3°x227m/m
11	41027-069	SPOKE ASSY, front	18	90°x239.5m/m
12	41027-081	SPOKE ASSY, rear inner, L.H.	9	107°x172.5m/m
13	41028-080	SPOKE ASSY, rear outer, L.H.	9	78°x172m/m
14	41027-082	SPOKE ASSY, rear inner, R.H.	9	108°x168.5m/m
15	41028-081	SPOKE ASSY, rear outer, R.H.	9	79.5°x168m/m

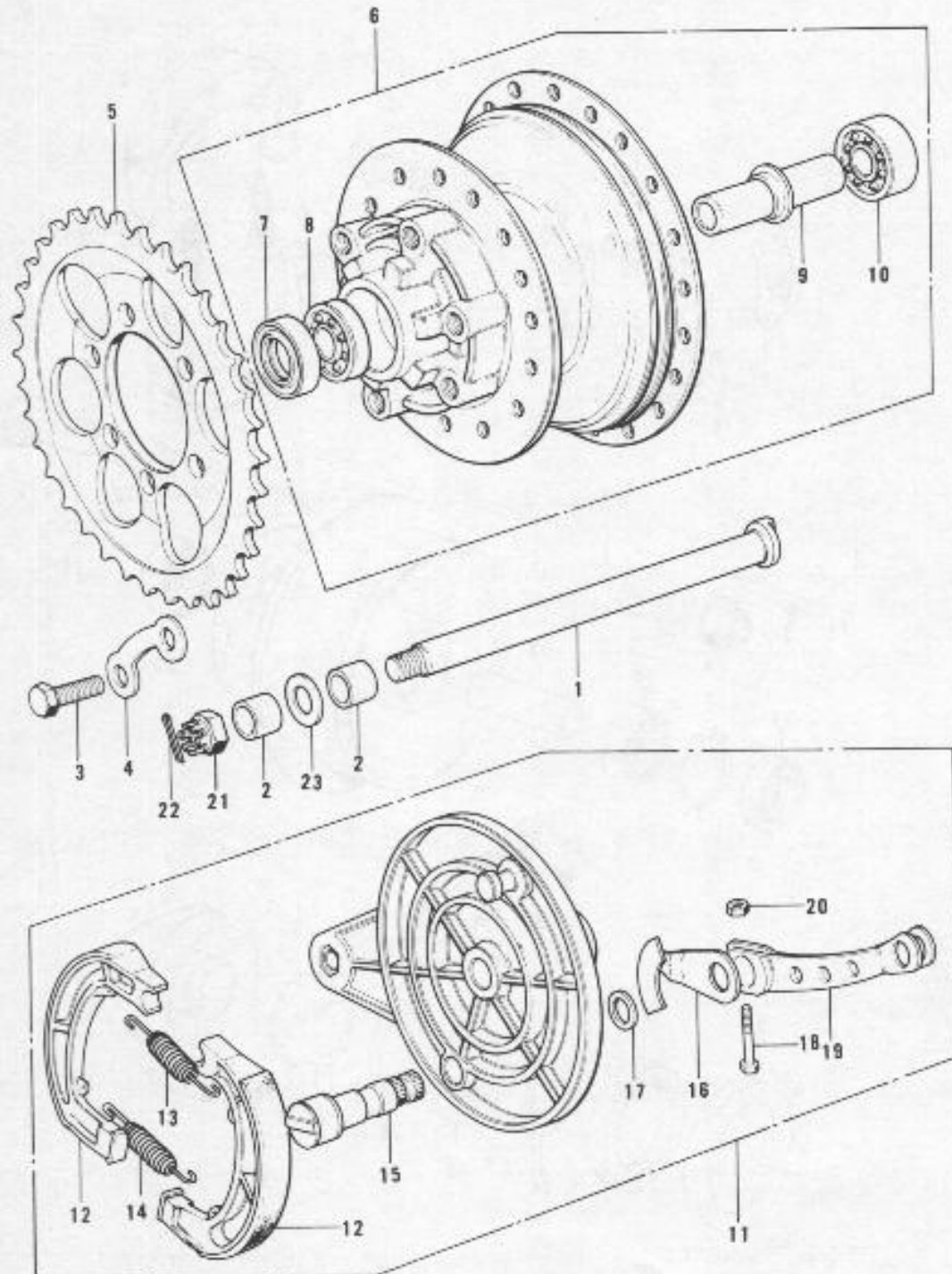
## 20. Front Hub

Ref. No.	Part No.	Part Name	Quantity	Remarks
1	41035-064-80	PANEL ASSY, front brake	1	Buff Finish
2	41048-015	SHOE, brake	2	
3	41049-002	SPRING, brake shoe	1	
4	41049-011	SPRING, brake shoe	1	
5	41050-018	CAM SHAFT, front brake	1	
6	92055-004	"O" RING,	1	
7	41052-001	WASHER, cam shaft	1	
8	41053-024	LEVER, front brake cam	1	
9	110B0620	BOLT, 6 x 20	1	
10	410B0600	WASHER, plain, 6 m/m	1	
11	41068-047	AXLE, front	1	
12	411B1200	WASHER, plain, 12 m/m	2	
13	320B1200	NUT, 12 m/m	1	
14	550D3025	PIN, cotter	1	
15	41034-031-80	DRUM ASSY, front brake	1	Buff Finish
16	92050-059	OIL SEAL, front brake drum	1	
17	481J3700	CIRCLIP, 37 m/m	1	
18	601B6301	BEARING, ball, #6301	1	
19	41039-025	SPACER, front brake drum	1	
20	601B6201	BEARING, ball, #6201	1	
21	41078-003	GEAR BOX ASSY	1	
22	41042-013	DUST COVER	1	
23	654A405208	OIL SEAL, #40528	1	
24	480J1900	CIRCLIP, 19 m/m	1	
25	41065-004	WASHER, plain	1	
26	41064-011	RECEIVER, speedometer gear	1	
27	41059-024	GEAR, speedometer	1	24T
28	41082-001	PIN, spring	1	
29	41062-005	BUSHING, speedometer cable	1	
30	41063-001	WASHER, thrust	2	
31	41060-015	PINION, speedometer	1	

## 20. Front Hub



21. Rear Hub



## 21. Rear Hub

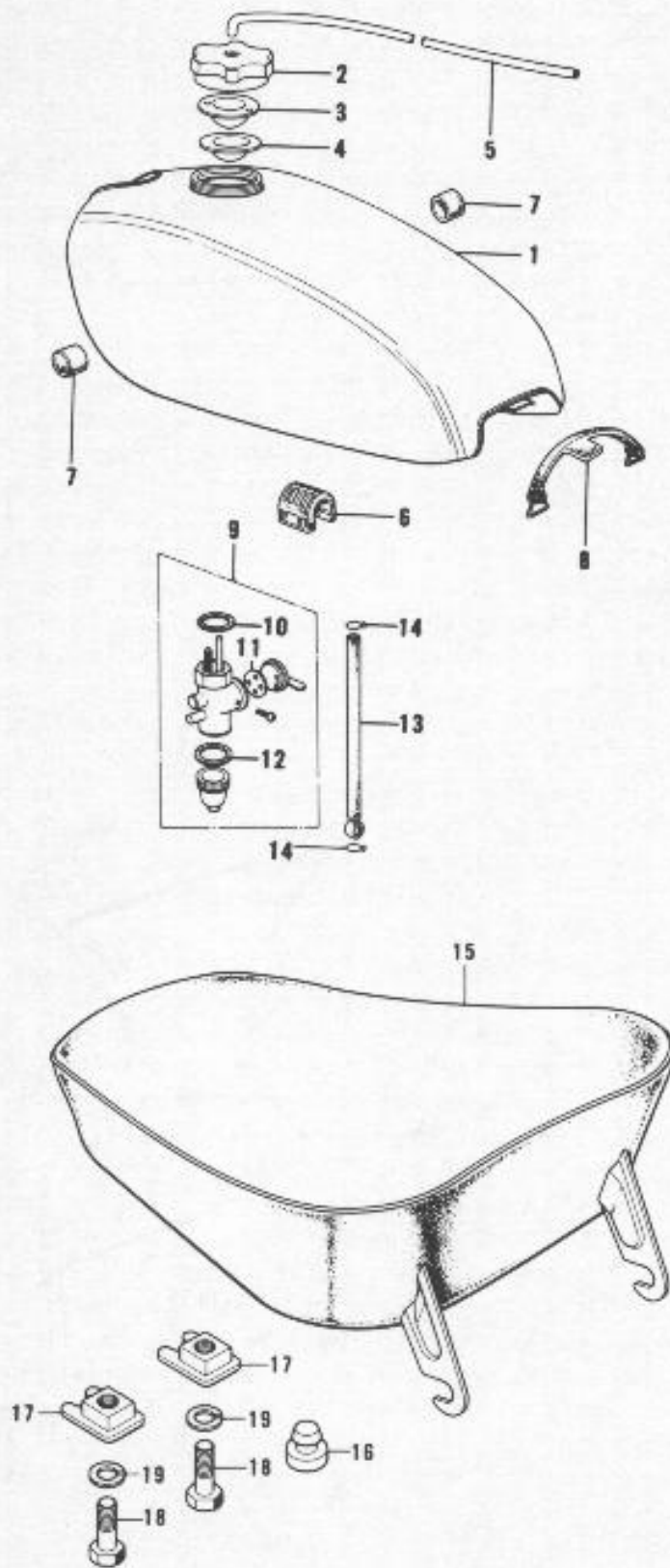
Ref. No.	Part No.	Part Name	Quantity	Remarks
1	42031-046	AXLE, rear	1	
2	42032-036	COLLAR, rear axle	2	
3	92001-087	BOLT, 10 x 25	6	
4	92088-007	WASHER, lock	3	
5	42041-151	REAR SPROCKET	1	52T
6	42005-029-80	DRUM ASSY, rear brake	1	Buff Finish
7	92050-009	OIL SEAL	1	
8	601B6302	BEARING, ball, #6302	1	
9	42010-019	SPACER, rear hub bearing	1	
10	601B6302Z	BEARING, ball, #6302Z	1	
11	42006-058-80	PANEL ASSY, rear brake	1	Buff Finish
12	42019-009	SHOE, brake	2	
13	41049-002	SPRING, brake shoe	1	
14	41049-011	SPRING, brake shoe	1	
15	42026-014	CAM SHAFT, brake	1	
16	41085-012	INDICATOR, brake shoe	1	
17	92055-004	"O" RING	1	
18	110B0630	BOLT, 6 x 30	1	
19	42029-023	LEVER, brake cam	1	
20	41072-007	NUT, 6 m/m	1	
21	92103-006	NUT, 14 m/m	1	
22	550D4035	PIN, cotter, 4.0 x 35	1	
23	42035-002	SPACER	2	

## 22. Fuel Tank, Seat

Ref. No.	Part No.	Part Name	Quantity	Remarks
1	51001-103-2G	TANK, fuel, Lime Green	1	
2	51049-022	CAP, fuel tank	1	
3	51058-004	WASHER, fuel tank cap	1	
4	51059-012	GASKET, fuel tank cap	1	
5	700Q05280	TUBE, vinyl, 5 x 280	1	
6	92075-215	DAMPER RUBBER	1	
7	92075-101	DAMPER RUBBER	2	
8	92072-036	BAND, fuel tank	1	
9	51023-047	COCK ASSY, fuel	1	
10	92065-061	GASKET, fuel cock joint	1	
11	92065-062	GASKET, fuel cock lever	1	
12	51037-008	GASKET, fuel cock cup	1	
13	92059-073	PIPE, fuel	1	
14	92037-072	CLAMP, fuel pipe	2	
15	53001-110	SEAT ASSY	1	
16	92075-099	DAMPER RUBBER	1	
17	53014-004	PLATE	2	
18	110N0836	BOLT, 8 x 36	2	
19	461F0800	WASHER, spring, 8 m/m	2	

22. Fuel Tank, Seat

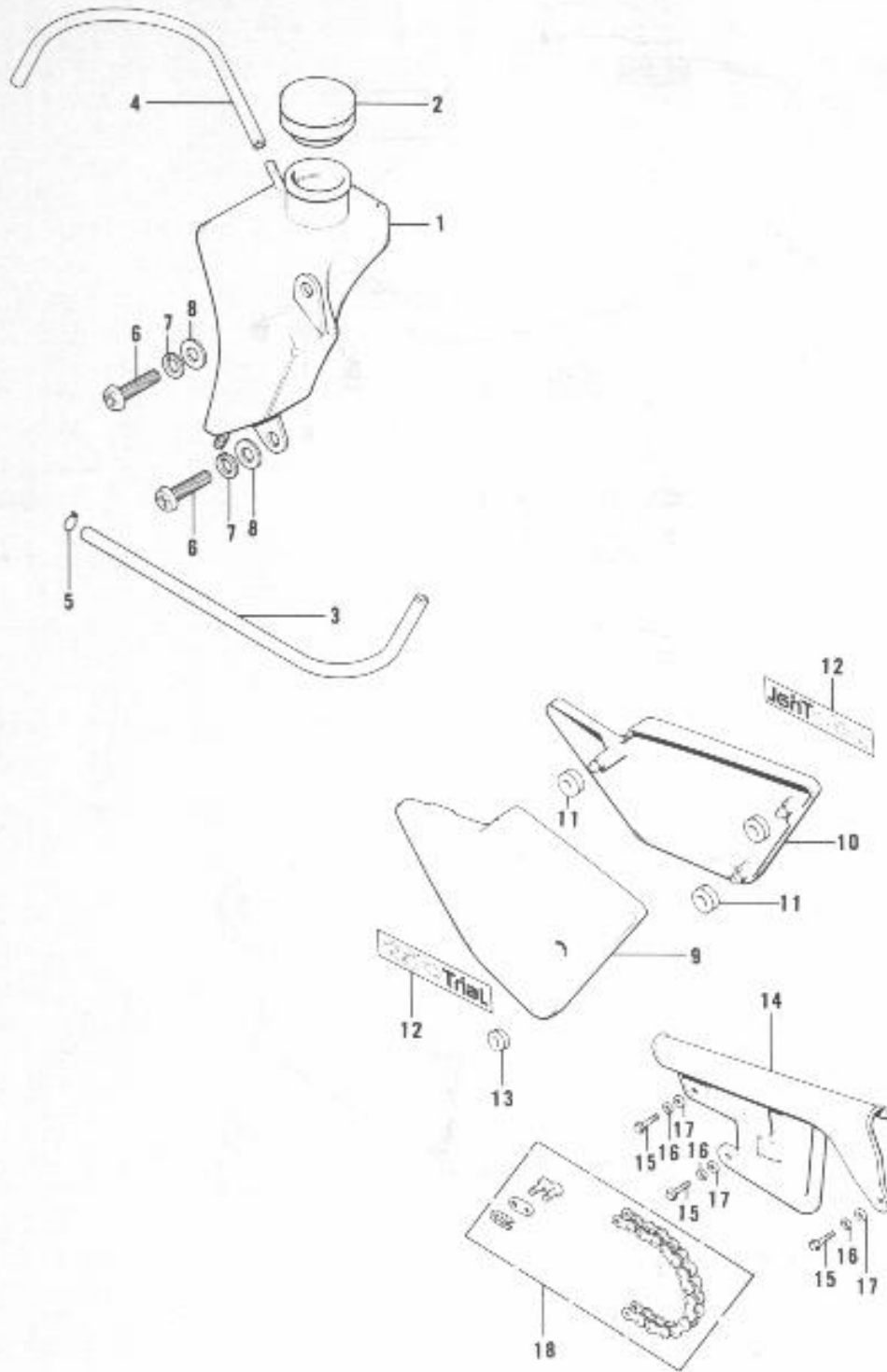
---





23. Oil Tank, Side Cover, Chain Case

---



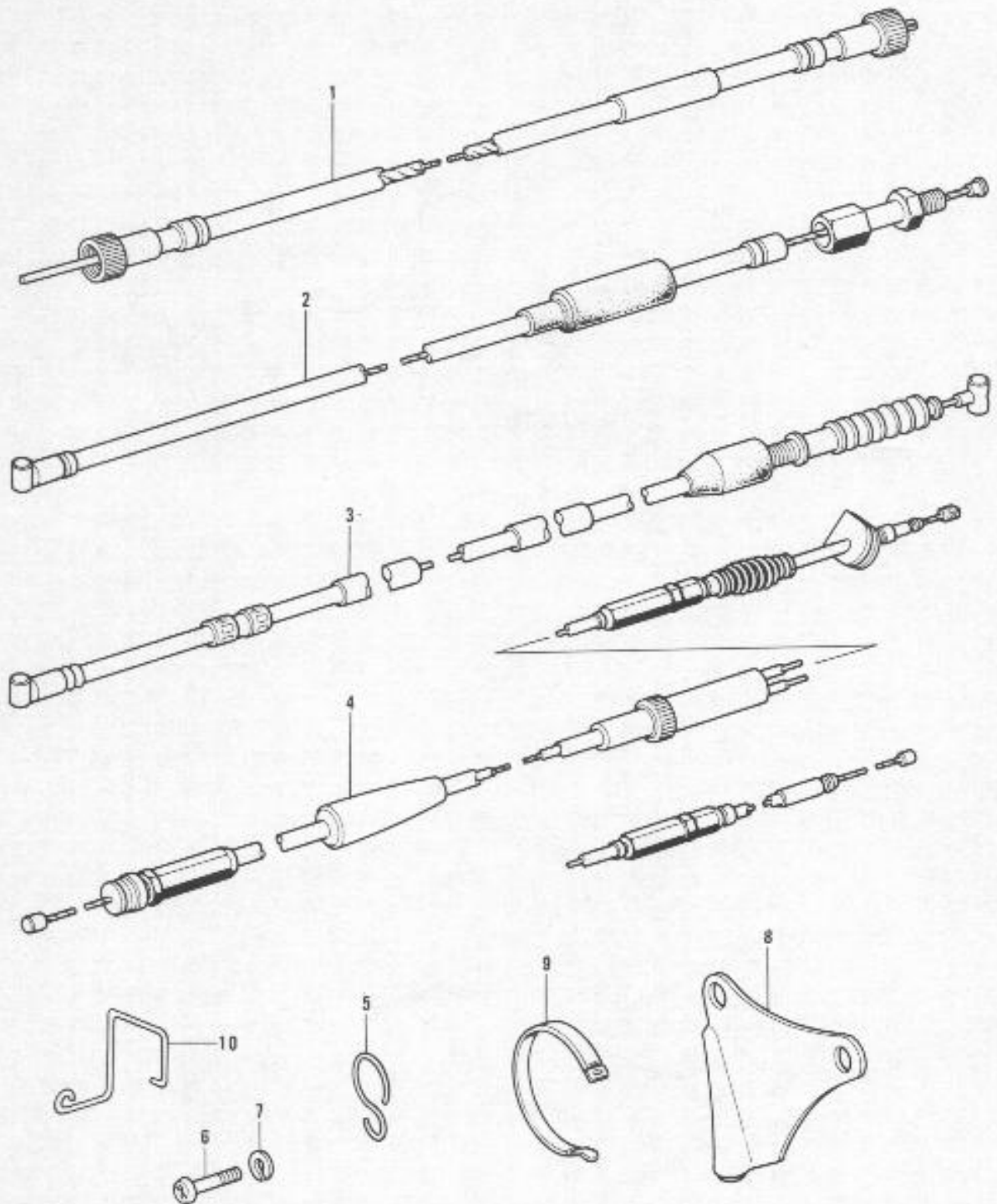
## 23. Oil Tank, Side Cover, Chain Case

Ref. No.	Part No.	Part Name	Quantity	Remarks
1	52001-044	TANK, oil	1	
2	52003-023	CAP, oil tank	1	
3	92059-115	PIPE, oil tank	1	
4	700Q05400	TUBE, vinyle, 5 x 400	1	
5	92037-072	CLAMP, fuel pipe	2	
6	220B0614	SCREW, 6 x 14	2	
7	461F0600	WASHER, spring, 6 m/m	2	
8	92022-125	WASHER, plain, 6 m/m	2	
9	36001-050-2G	COVER, L.H. side, Lime Green	1	
10	36007-044-2G	COVER, R.H. side, Lime Green	1	
11	92071-056	GROMMET	6	
12	56018-191	EMBLEM, side cover	2	
13	92071-080	GROMMET	1	
14	36014-060-1W	COVER, chain, Metallic Silver	1	
15	220B0614	SCREW, 6 x 14	3	
16	461F0600	WASHER, spring, 6 m/m	3	
17	92022-024	WASHER, plain, 6 m/m	3	
18	92057-095	CHAIN ASSY, drive	1	

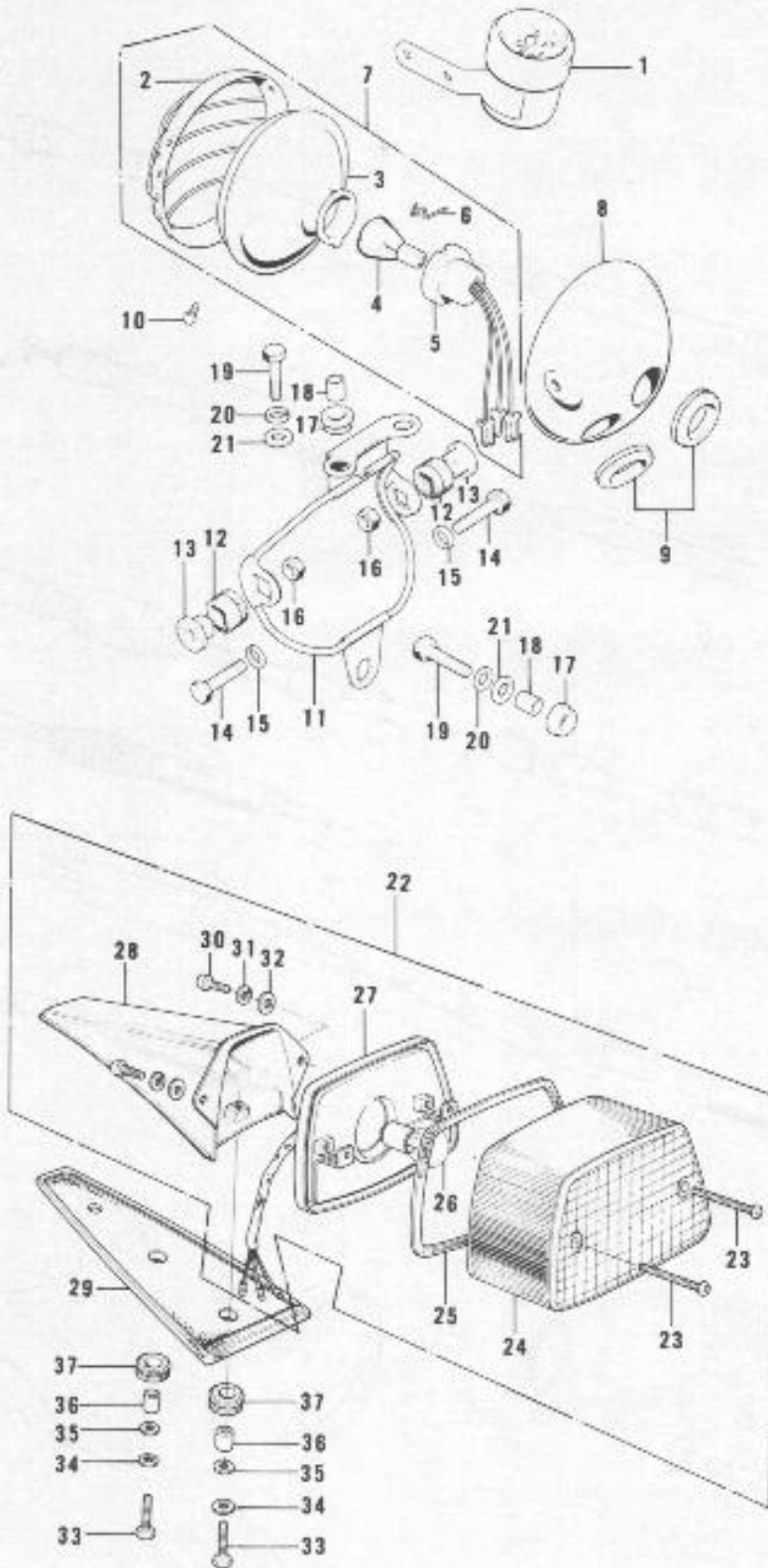
## 24. Cables

Ref. No.	Part No.	Part Name	Quantity	Remarks
1	54001-051	CABLE, speedometer	1	
2	54005-082	CABLE, front brake	1	
3	54011-076	CABLE, clutch	1	
4	54012-119	CABLE, control	1	
5	92037-126	CLAMP, cable	1	
6	110B0812	SCREW, 8 x 12	1	
7	461F0800	WASHER, spring, 8 m/m	1	
8	32122-036	BRACKET, cable	1	
9	92072-032	BAND, rubber	1	
10	92037-164	CLAMP, cable	1	

24. Cables



25. Electrical Equipments A



## 25. Electrical Equipments A

Ref. No.	Part No.	Part Name	Quantity	Remarks
1	25001-085	SPEEDOMETER ASSY, MPH	1	
2	23006-047	RIM, head lamp	1	
3	23007-063	LENS UNIT, head lamp	1	
4	92069-078	BULB, 6V-35/35W	1	
5	23008-039	SOCKET, head lamp bulb	1	
6	23009-015	CLAMP, head lamp rim	3	
7	23004-060	LAMP UNIT, head	1	
8	23005-021-3G	BODY, head lamp, white	1	
9	23023-011	GROMMET,	2	
10	23019-025	SCREW, 5 x 14	1	
11	23064-020	BRACKET, head lamp	1	
12	23066-017	DAMPER RUBBER	2	
13	23052-008	COLLAR	2	
14	92007-041	BOLT, 10 x 30	2	
15	461F1000	WASHER, spring, 10 m/m	2	
16	92016-027	NUT, 10 m/m	2	
17	92075-209	DAMPER RUBBER	2	
18	92027-120	COLLAR	3	
19	110B0628	BOLT, 6 x 28	3	
20	461F0600	WASHER, spring 6 m/m	3	
21	92022-237	WASHER, plain, 6 m/m	3	
22	23024-062	LAMP ASSY, tail	1	
23	220E0325A	SCREW, 3 x 25	2	
24	23026-031	LENS, tail lamp	1	
25	23028-020	GASKET, tail lamp lens	1	
26	92069-028	BULB, 6V-17/5.3W	1	
27	23027-039	CASE, tail lamp	1	
28	23036-042-3G	BRACKET, tail lamp, white	1	
29	23066-018	DAMPER RUBBER	1	
30	220B0510A	SCREW, 5 x 10	2	
31	461F0500	WASHER, spring, 5 m/m	2	
32	411B0500	WASHER, plain, 5 m/m	2	
33	110B0620	BOLT, 6 x 20	2	
	116B0620	BOLT, 6 x 20	ALT	
34	461F0600	WASHER, spring, 6 m/m	2	
35	92022-125	WASHER, plain, 6 m/m	2	
36	92027-129	COLLAR	2	
37	92075-263	DAMPER RUBBER	2	

## 26. Electrical Equipments B

Ref. No.	Part No.	Part Name	Quantity	Remarks
1	26001-127	WIRING HARNESS, main	1	
2	27005-079	SWITCH ASSY, ignition	1	
3	27008-050-11	KEY SET, #311	1	
	27008-050-12	KEY SET, #312	1	
	27008-050-13	KEY SET, #313	1	
	27008-050-14	KEY SET, #314	1	
	27008-050-15	KEY SET, #315	1	
4	27003-058	HORN	1	
5	110B0614	BOLT, 6 x 14	1	
	116B0614	BOLT, 6 x 14	ALT	
6	461F0800	WASHER, spring, 8 m/m	1	
7	110B0612	BOLT, 6 x 12	1	
	116B0612	BOLT, 6 x 12	ALT	
8	461F0600	WASHER, spring, 6 m/m	1	
9	27010-015	SWITCH, brake lamp	1	
10	27011-013	SPRING, brake lamp switch	1	
11	92037-113	CLAMP, harness	1	
12	92072-030	BAND, short	5	L=123m/m
13	92072-032	BAND, long	1	L=218m/m
14	92072-056	BAND, harness	2	L=186m/m

26. Electrical Equipments B

